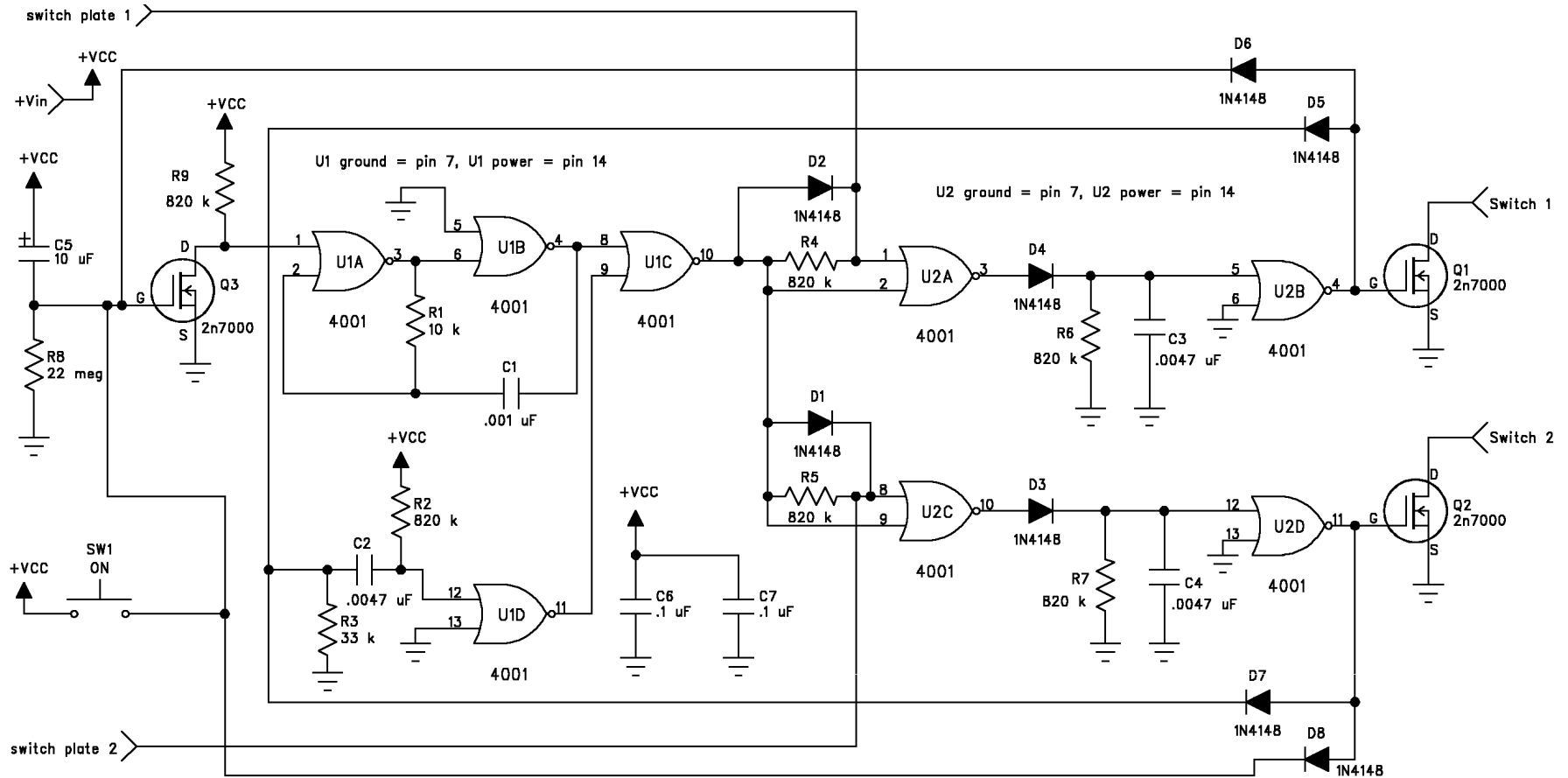


Touch Switch II Schematic Diagram



Jackson Harbor Press
RR1, Box 91C
Washington Island, WI 54246
jacksonharbor@att.net
<http://jacksonharbor.home.att.net>