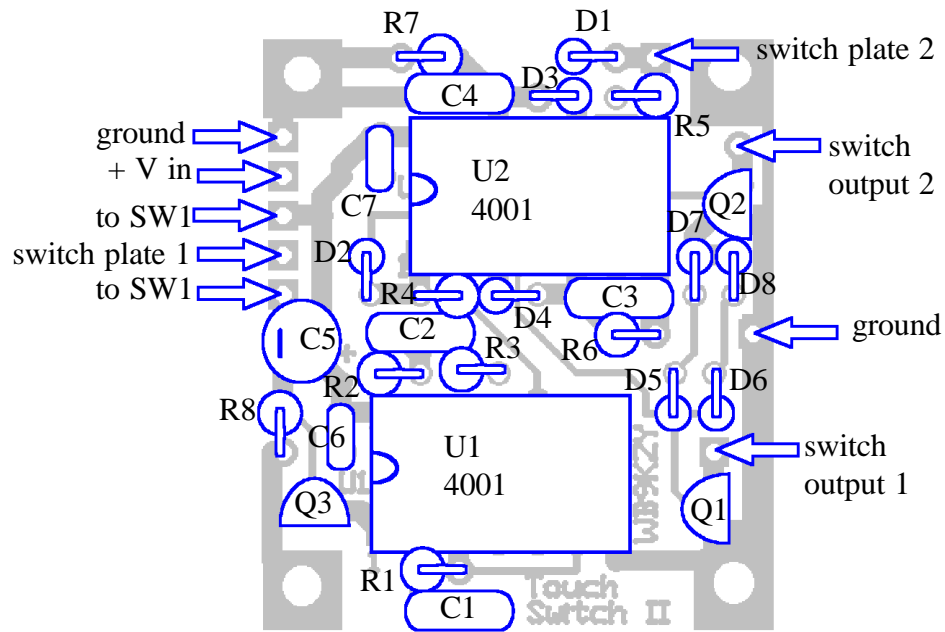
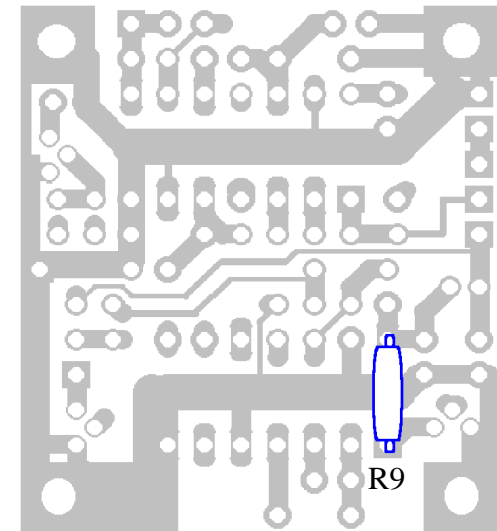


Touch Switch II Parts Placement Diagrams

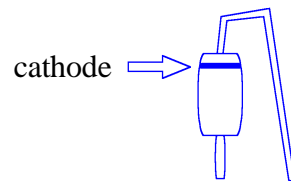
Top View of Circuit Board



Bottom View of Circuit board



lead forming for all diodes



Jackson Harbor Press
RR1, Box 91C
Washington Island, WI 54246
jacksonharbor@att.net
<http://jacksonharbor.home.att.net>

Copyright © 2004 by Charles J. Olson