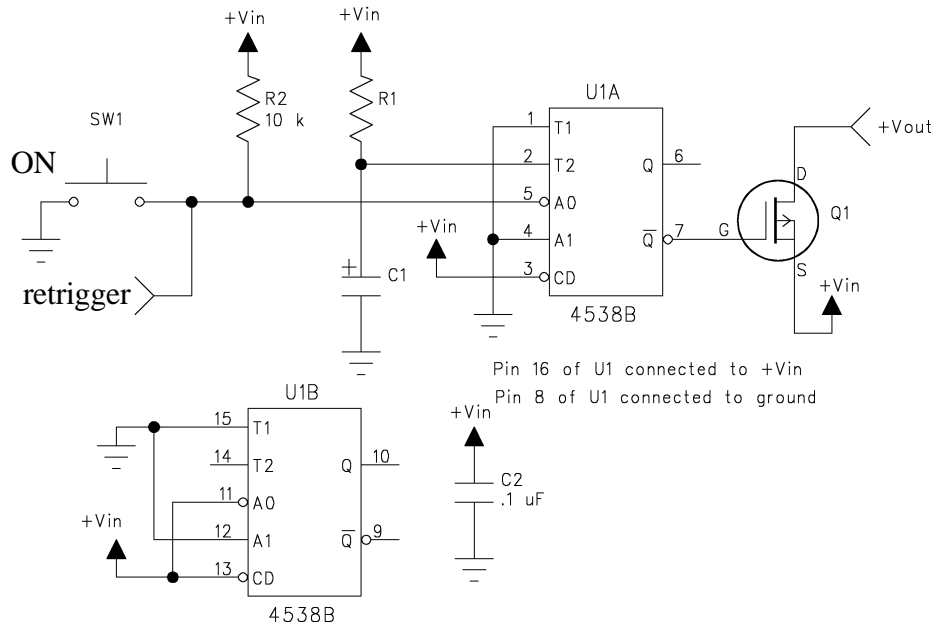
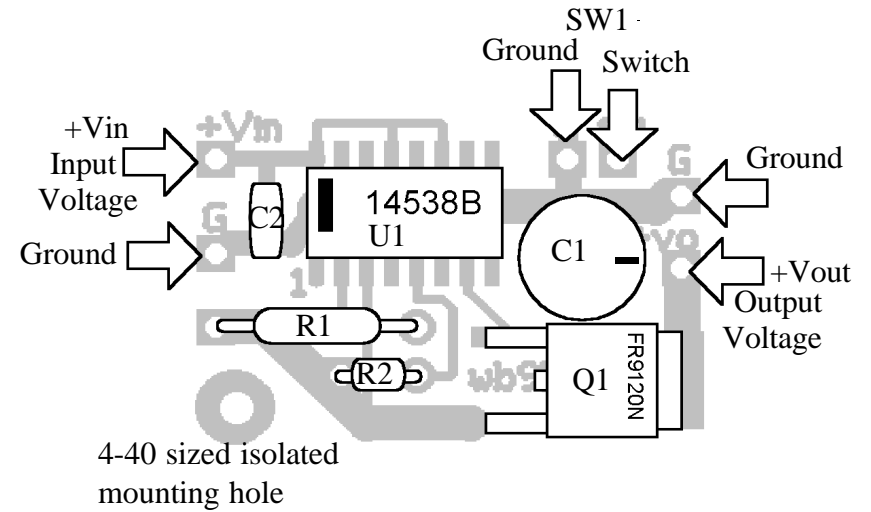


# Battery Saver Schematic / Parts Placement Diagrams

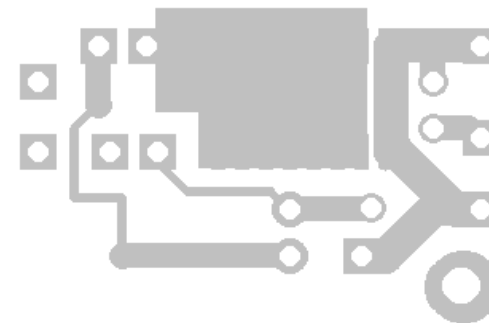
## Schematic



## Top View of Circuit Board



## Bottom View of Circuit board



Jackson Harbor Press  
 RR1, Box 91C  
 Washington Island, WI 54246  
 jacksonharbor@att.net  
 http://jacksonharbor.home.att.net

Copyright © 2004 by Charles J. Olson