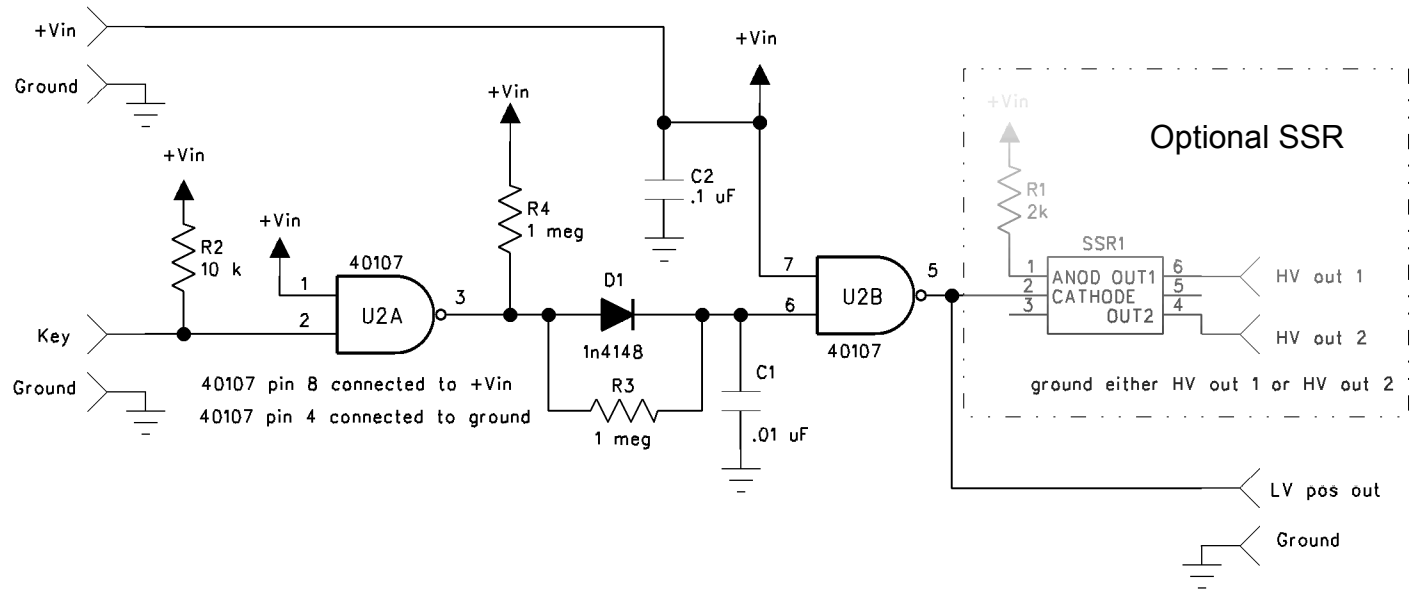


Bug Descratcher kit

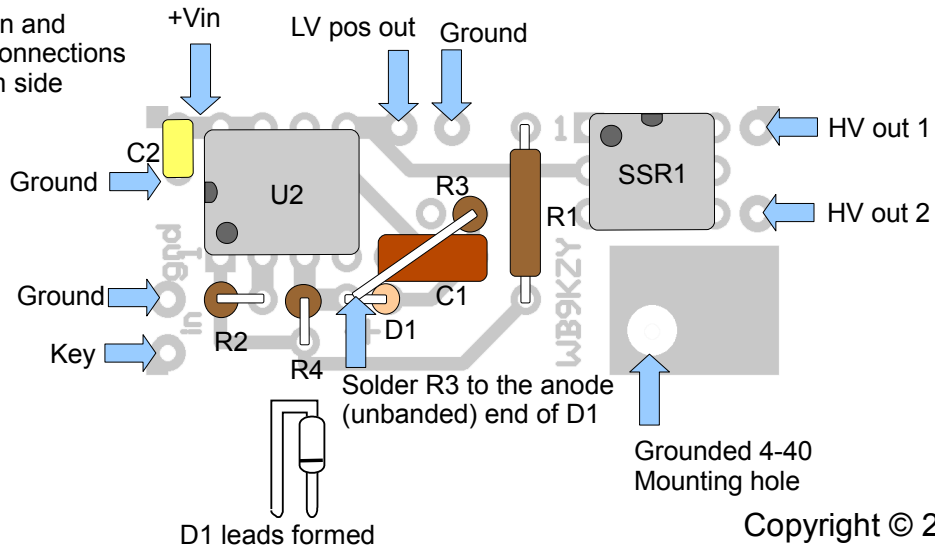
Jackson Harbor Press
 1418 Foss Rd.
 Washington Island, WI 54246
<http://wb9kzy.com>
wb9kzy@wb9kzy.com

Schematic



Circuit Board Top View – Parts Placement Diagram

Make +Vin and Ground connections on bottom side



Circuit Board Bottom View

Make +Vin and Ground connections on bottom side

