

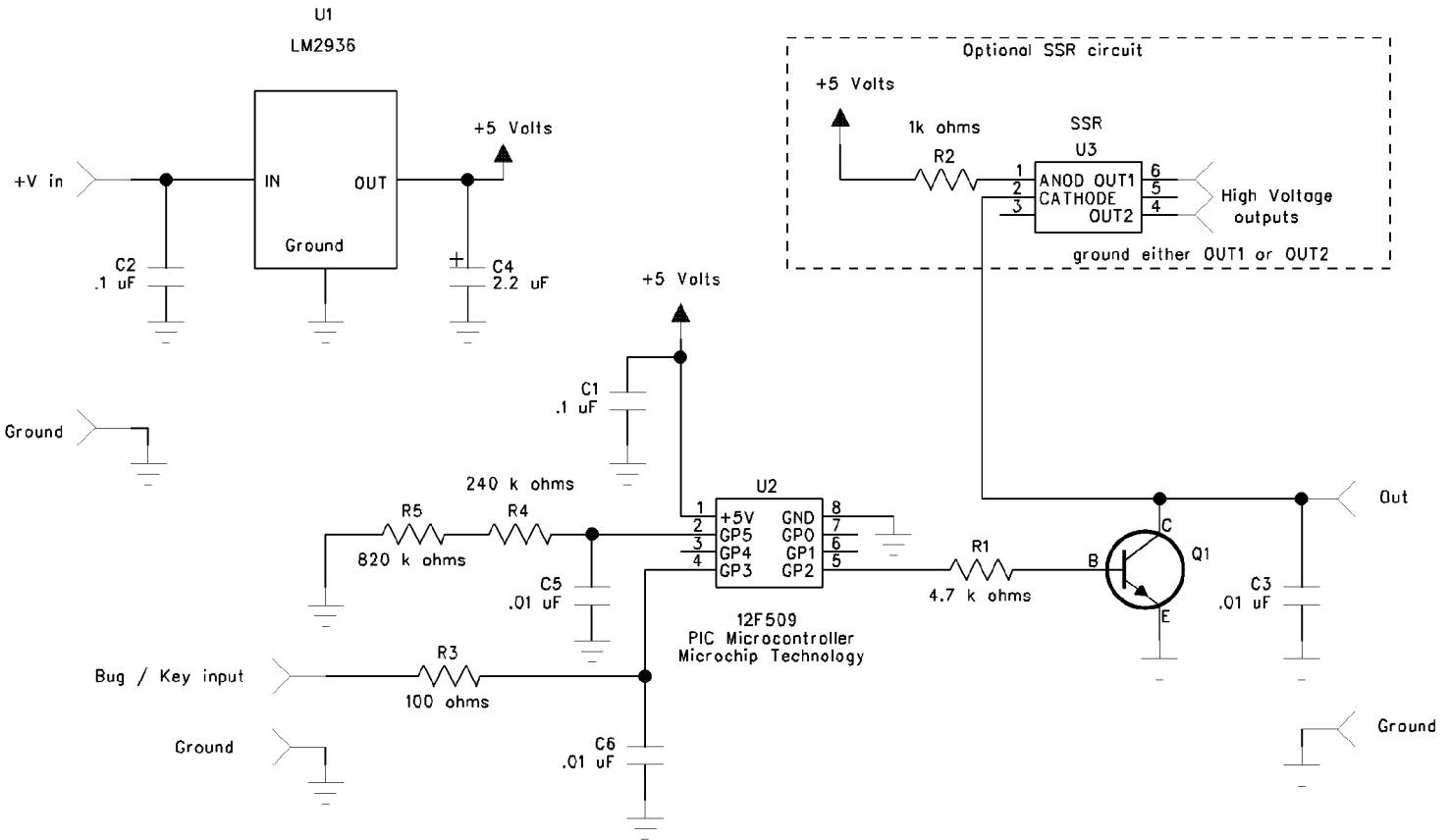
Bug Descratcher III kit

Jackson Harbor Press

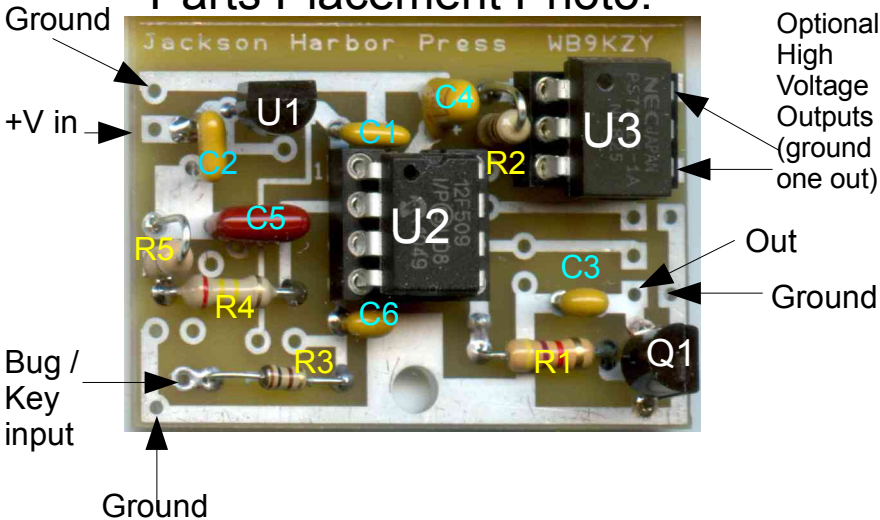
<http://wb9kzy.com>

wb9kzy@wb9kzy.com

Schematic:



Circuit Board Top View Parts Placement Photo:



Circuit Board Bottom View Photo:

