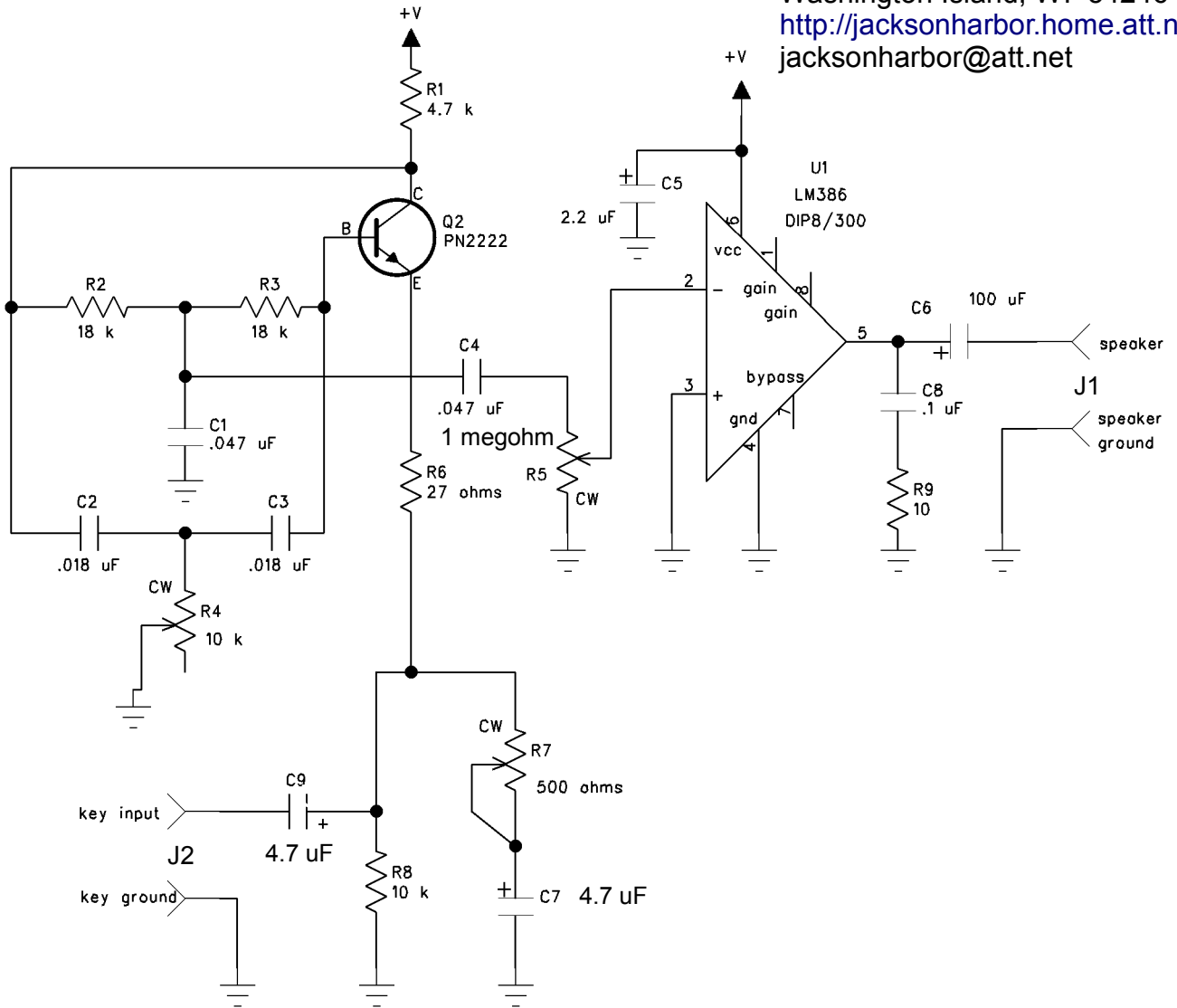


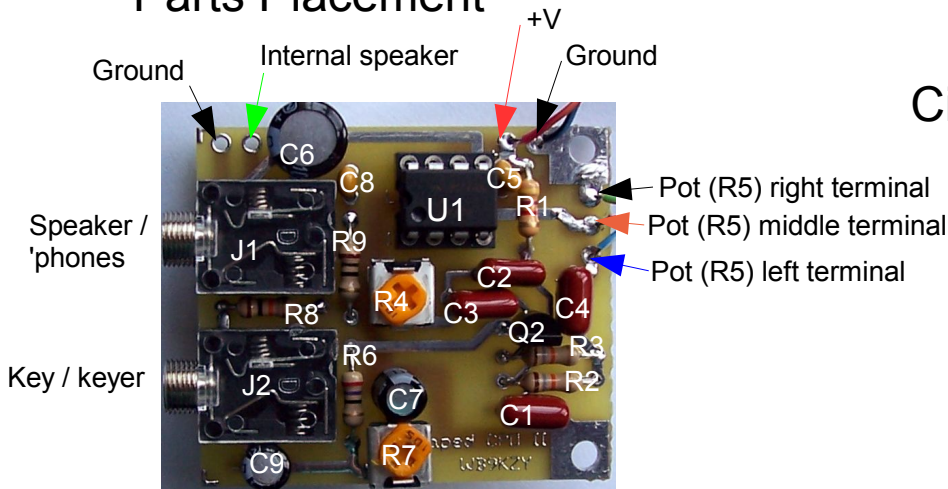
Shaped CPO II kit

Schematic

Jackson Harbor Press
 1418 Foss Rd.
 Washington Island, WI 54246
<http://jacksonharbor.home.att.net>
 jacksonharbor@att.net



Circuit Board Top View Parts Placement



Circuit Board Bottom View

