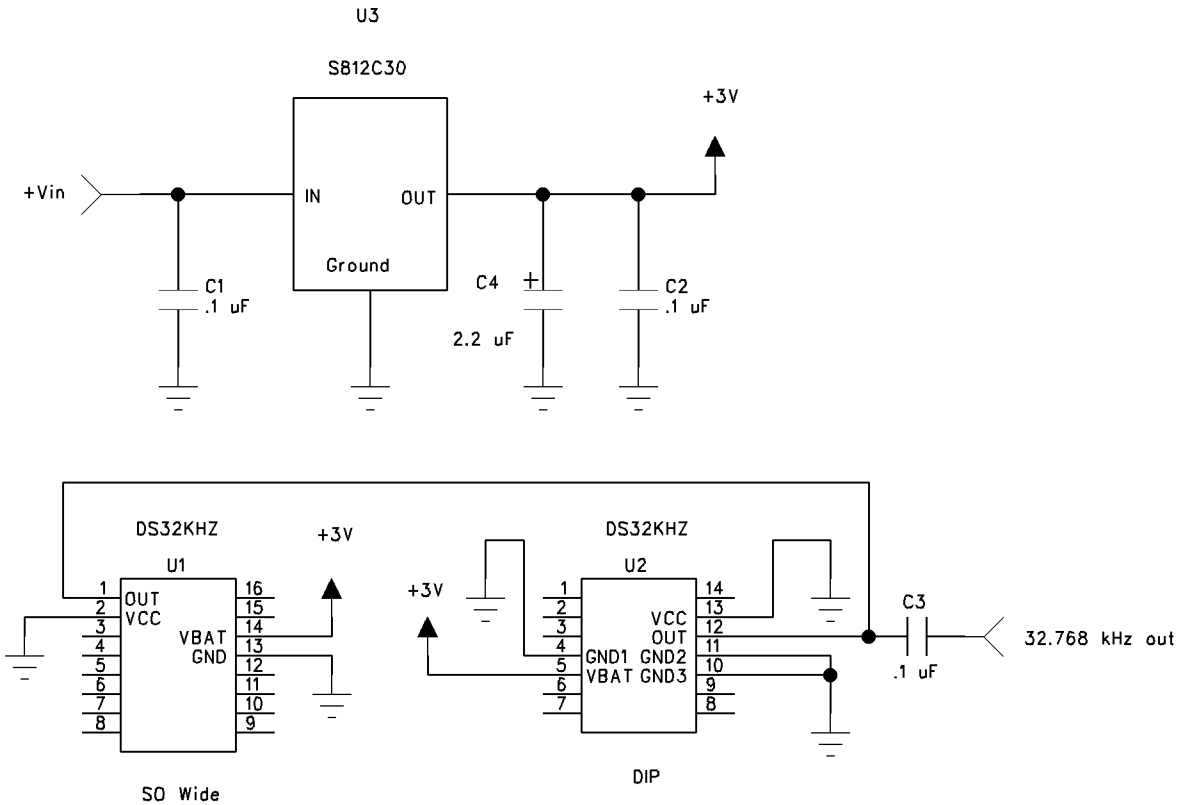


DS32KHZ circuit board Schematic



Parts Placement SO

Parts Placement DIP

Bottom view

Note the difference in orientation between the SO and DIP, SO has pin 1 towards the bottom board edge, the DIP has pin 1 towards the top board edge.

