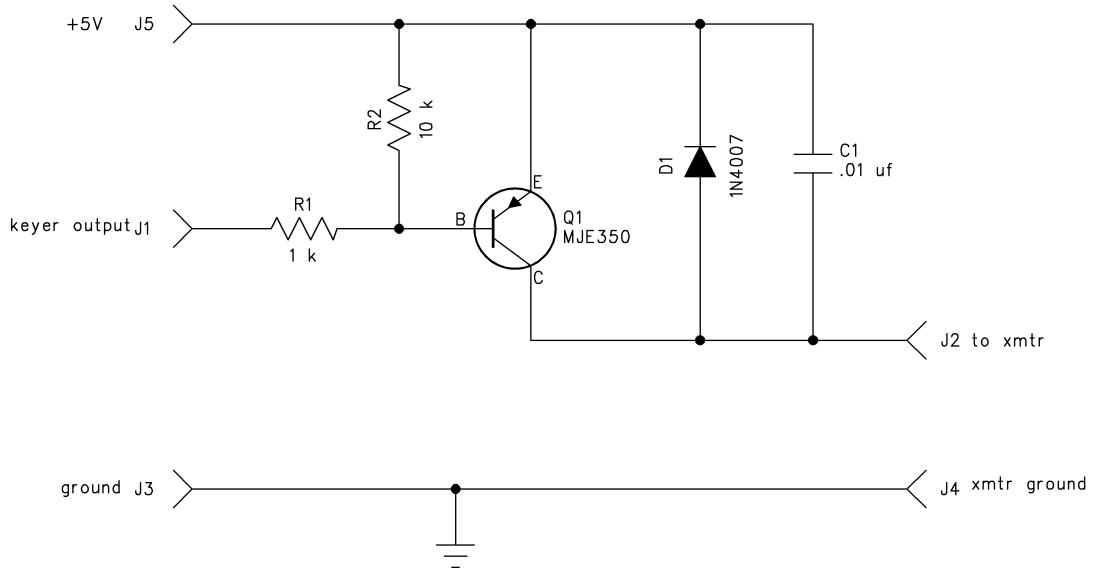


Grid Block Keying Adapter Schematic Diagram

Jackson Harbor Press
RR1, Box 91C
Washington Island WI 54246
jacksonharbor@worldnet.att.net



negative keying voltage adapter for Island Keyer

Parts Placement Diagram Top View of Circuit Board

Bottom View of Circuit Board

