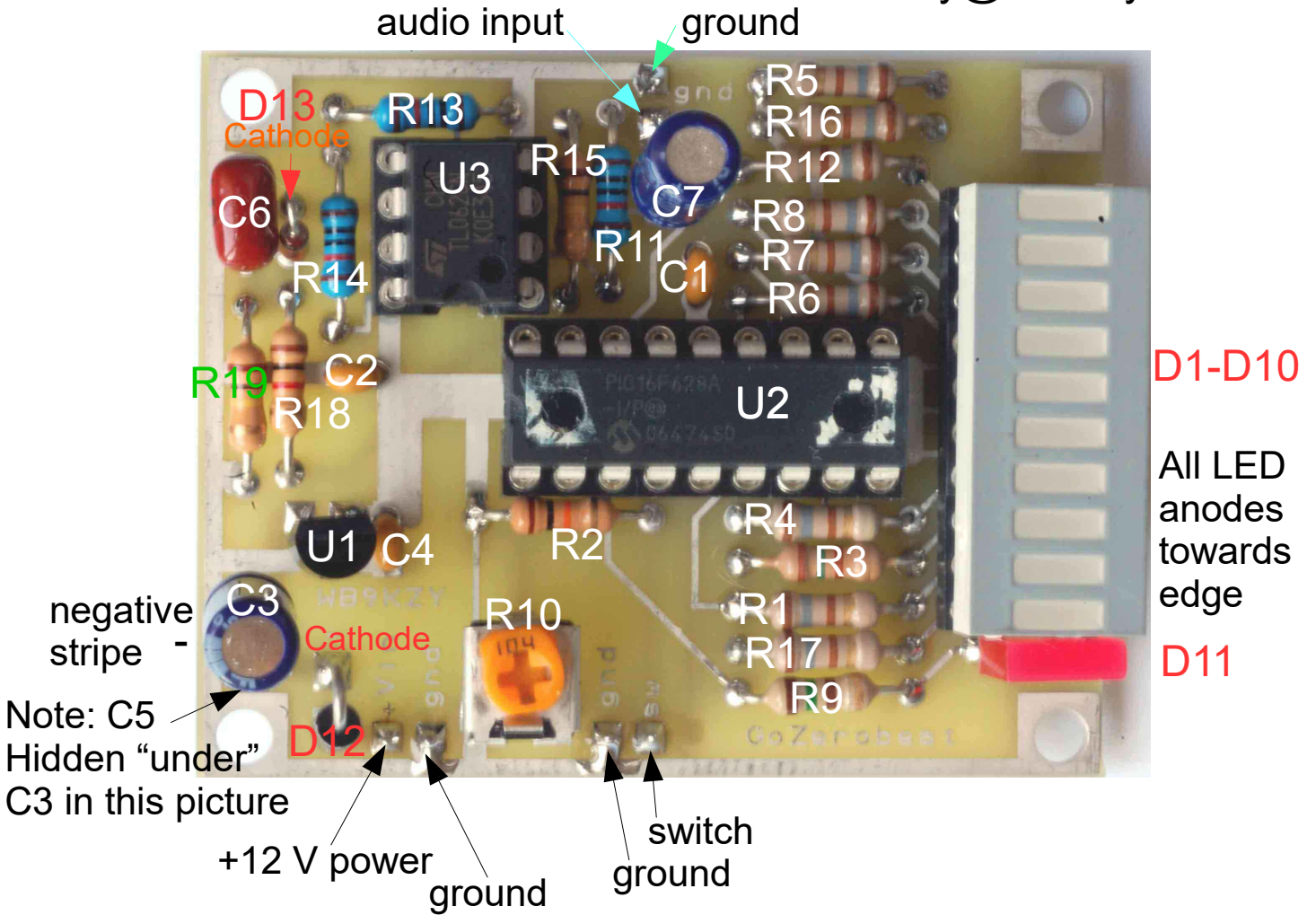


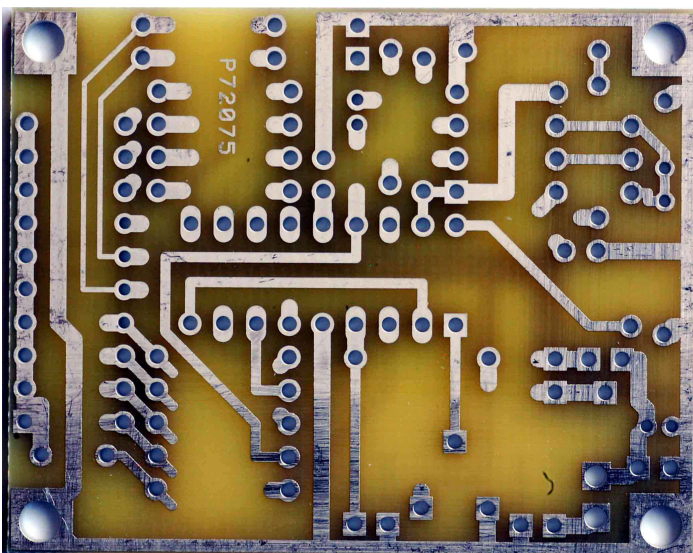
Grandson of Zerobeat kit  
Parts placement guide:

Jackson Harbor Press  
<http://wb9kzy.com>  
wb9kzy@wb9kzy.com

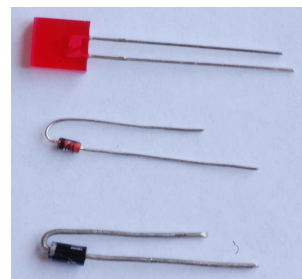


Bottom View of circuit board

Detail of LED array orientation



Diode orientation:



cathode=short lead  
anode=long lead

cathode=banded end  
Anode = other end