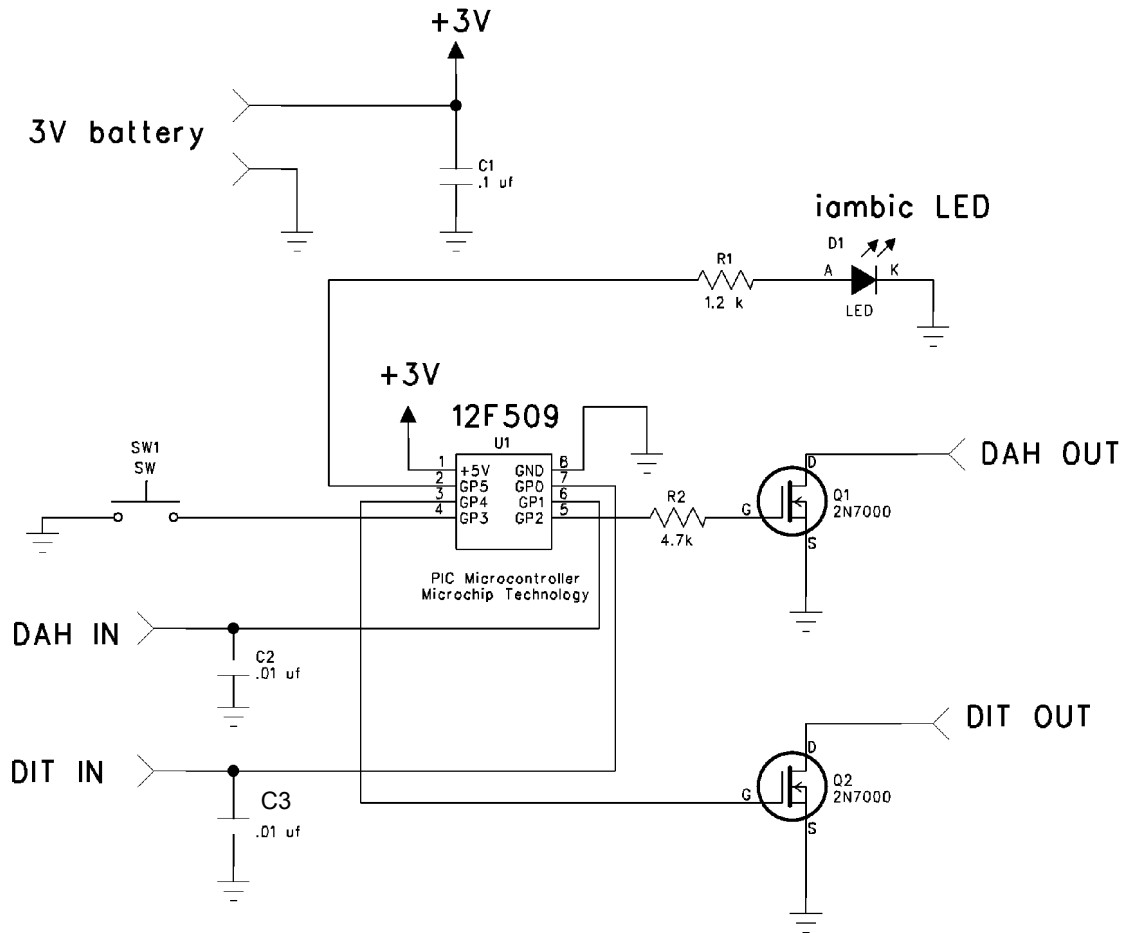


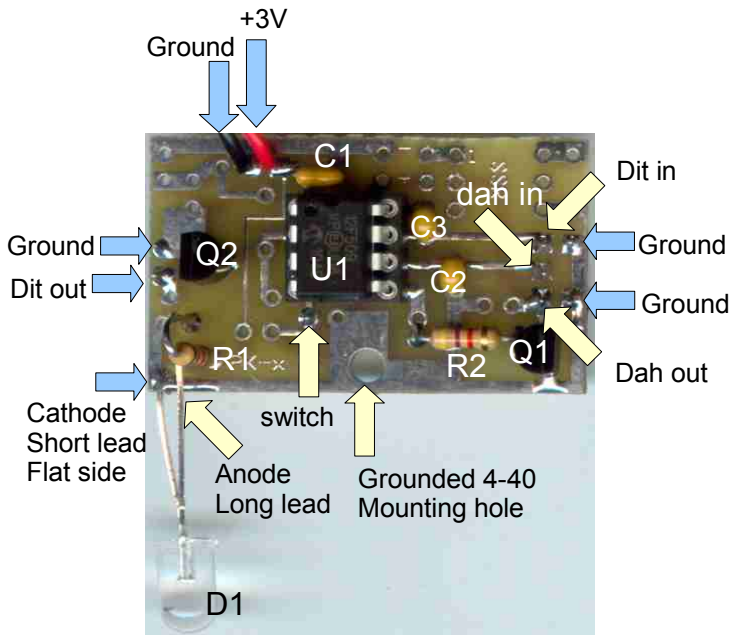
Iambic to Single paddle converter kit

Jackson Harbor Press
 1418 Foss Rd.
 Washington Island, WI 54246
<http://wb9kzy.com>
wb9kzy@wb9kzy.com

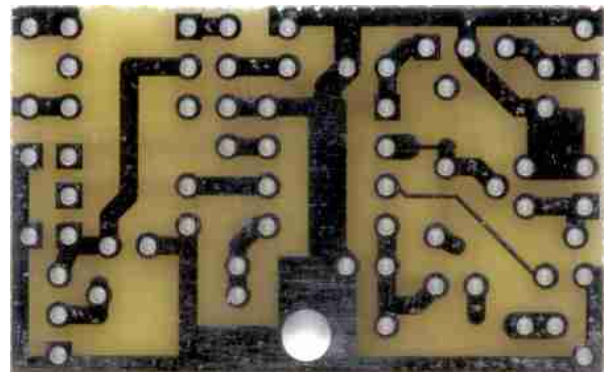
Schematic



Circuit Board Top View – Parts Placement Diagram



Circuit Board Bottom View



Copyright © 2012 by Charles J. Olson