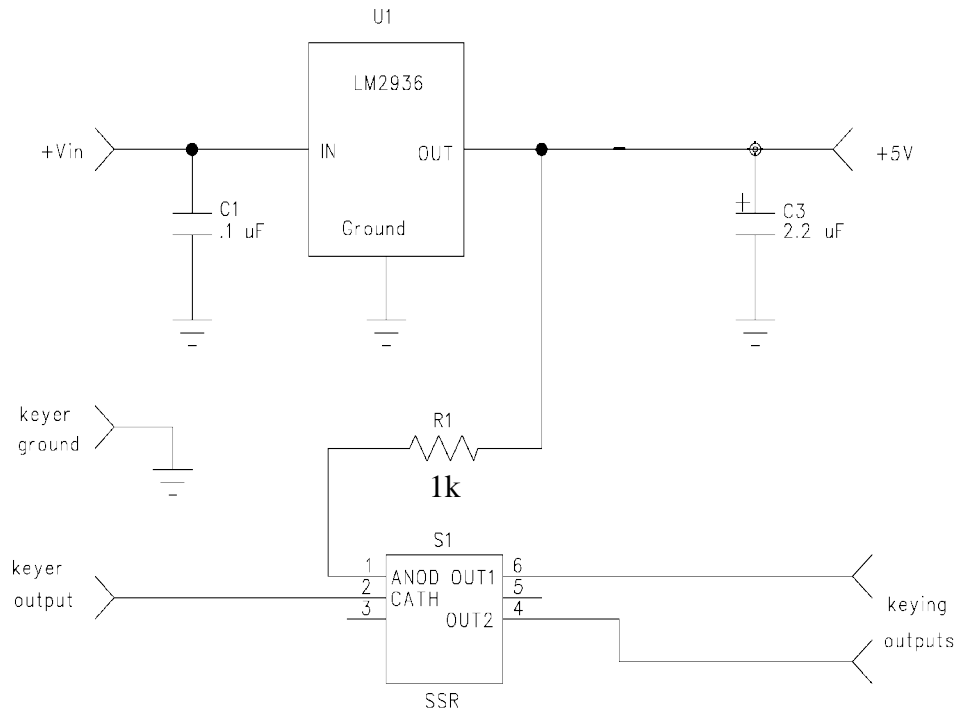
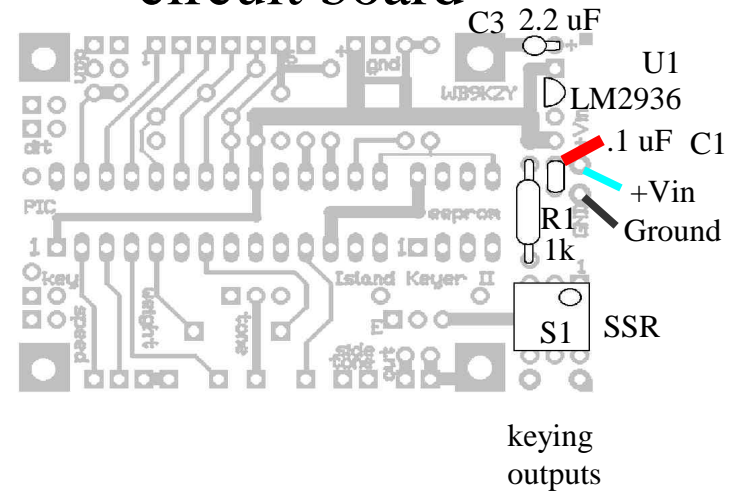


# Island Keyer II Extension Schematic



# Parts Placement diagram top view circuit board



# bottom view circuit board

