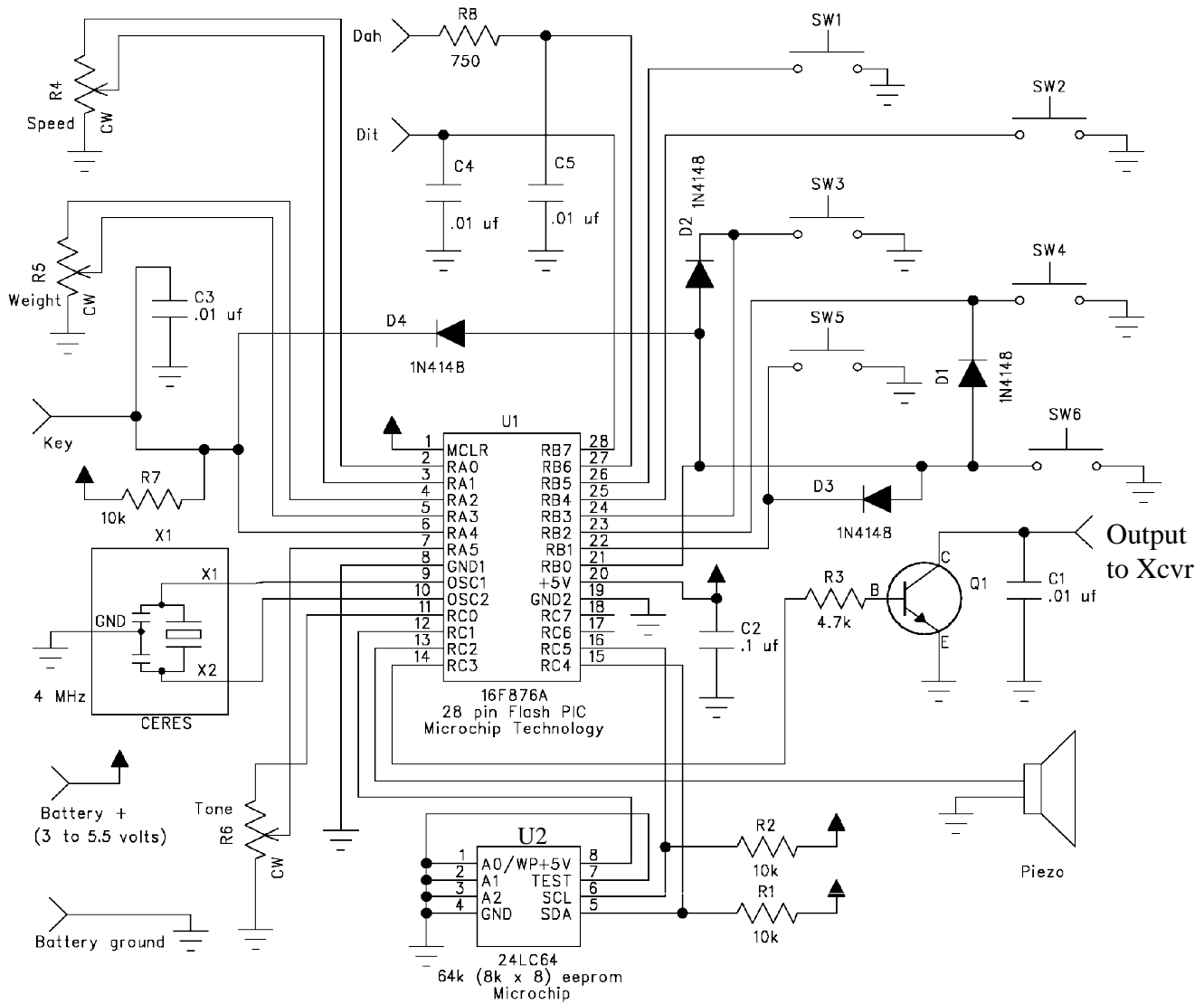
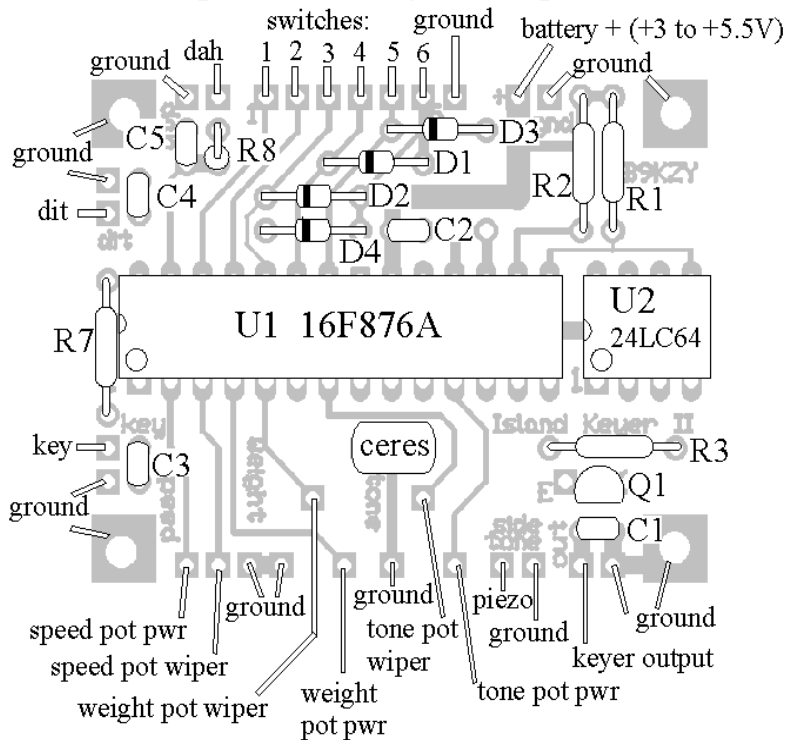


Island Keyer II Schematic Diagram



Parts placement diagram - top view



Jackson Harbor Press
<http://wb9kzy.com>
 wb9kzy@wb9kzy.com

Bottom view of Circuit Board

