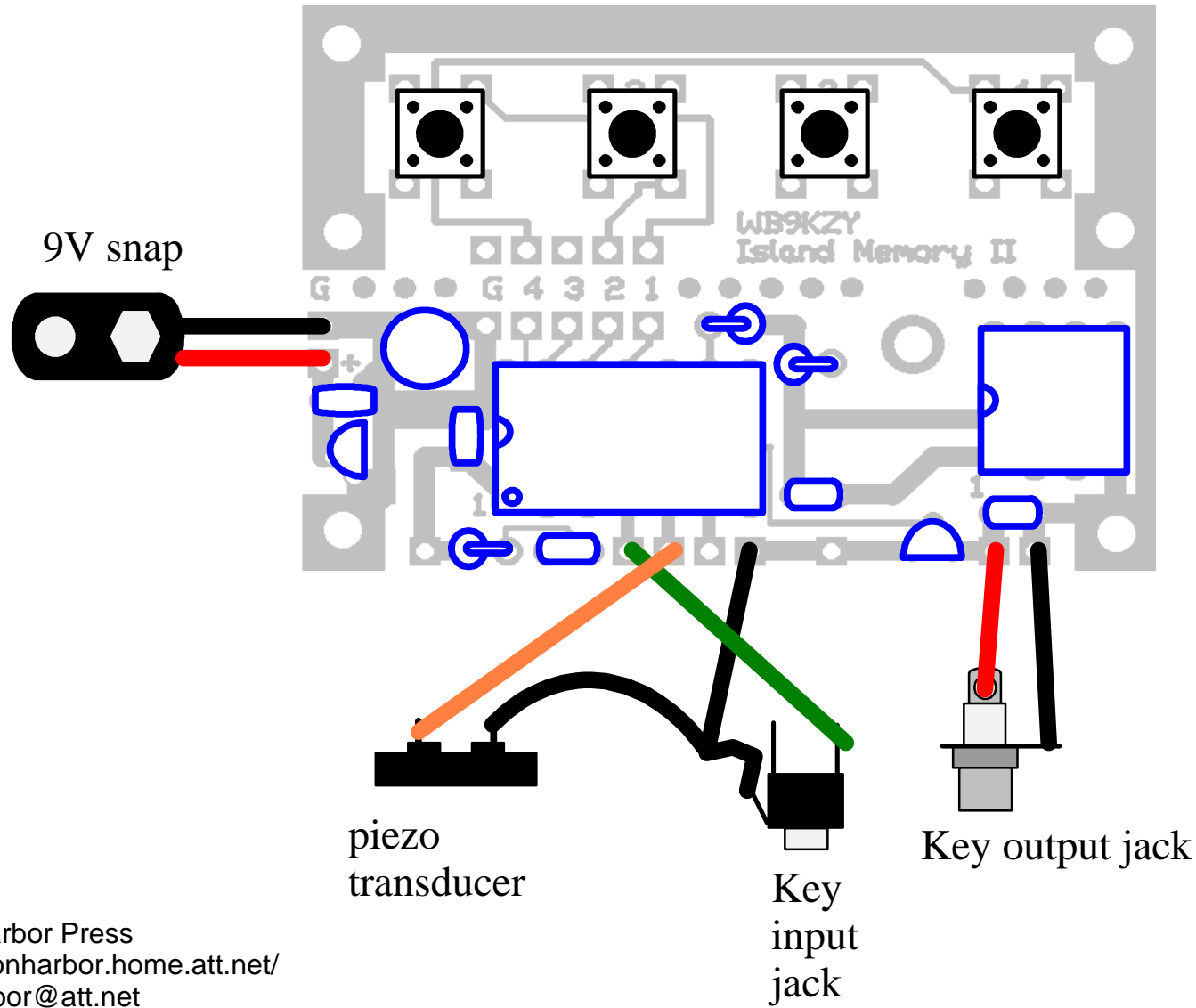


Hookup diagram for Island Memory II

7/14/2004, Chuck Olson, WB9KZY



Note:

Switches may be mounted on either side of circuit board.

Although shown here on the top side, the switches would normally be placed on the bottom of the board.