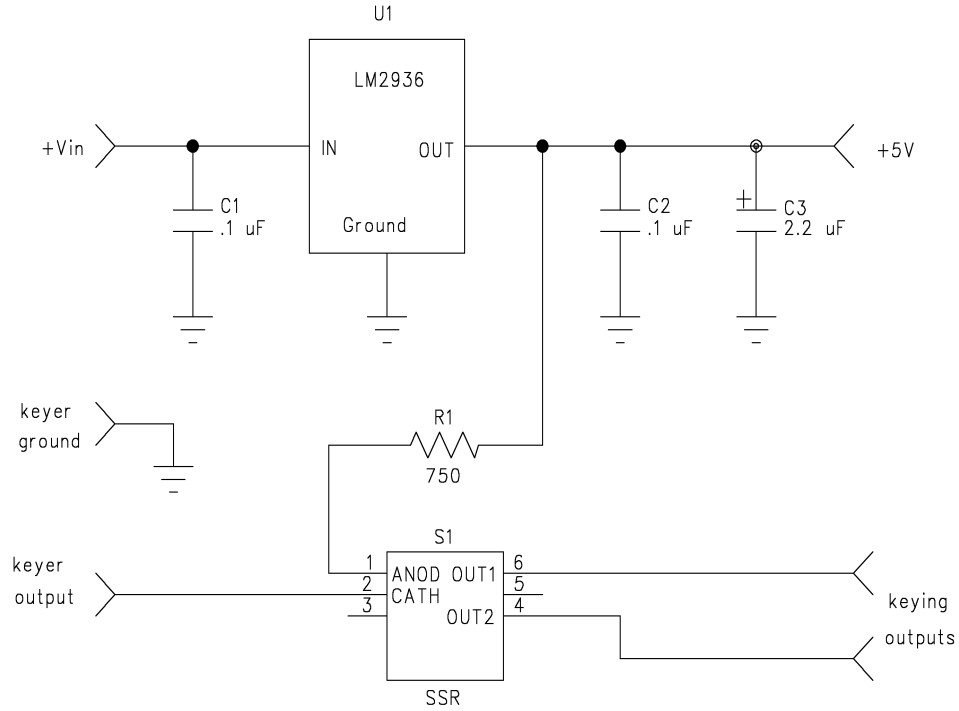
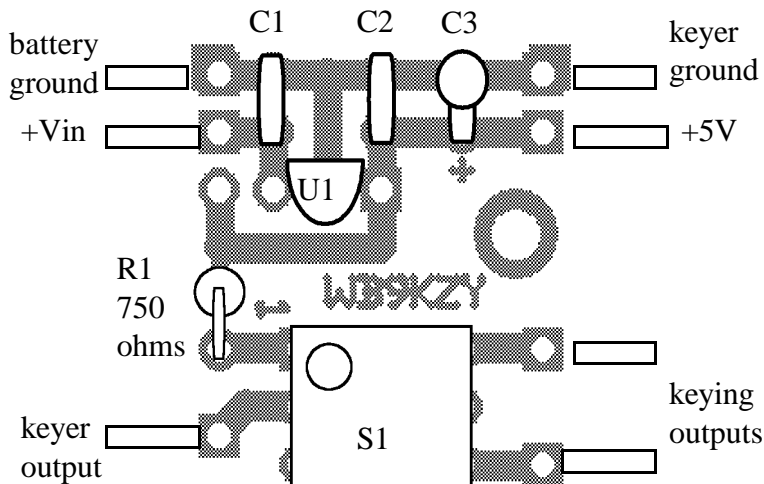


Keyer Accessory Kit Schematic

Jackson Harbor Press
jacksonharbor@att.net
<http://jacksonharbor.home.att.net>



Parts Placement diagram top view circuit board



bottom view circuit board

