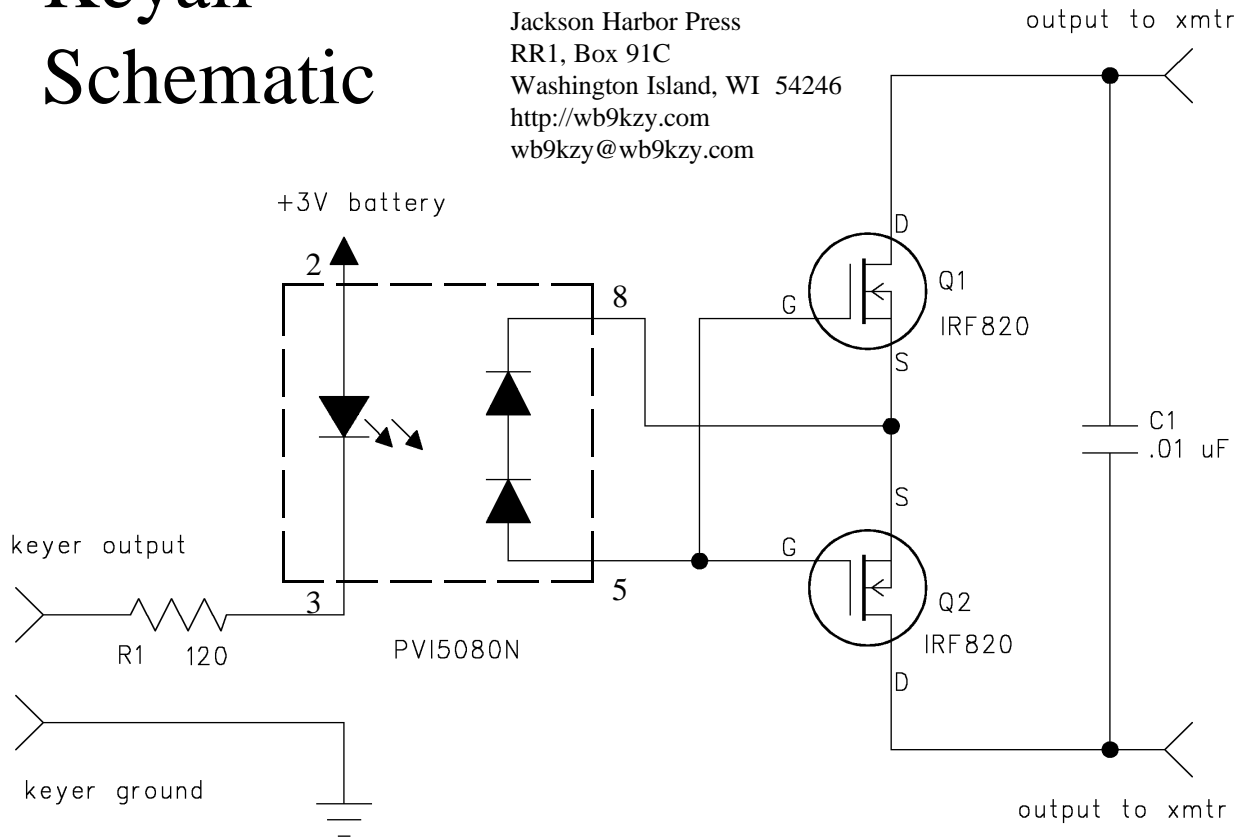
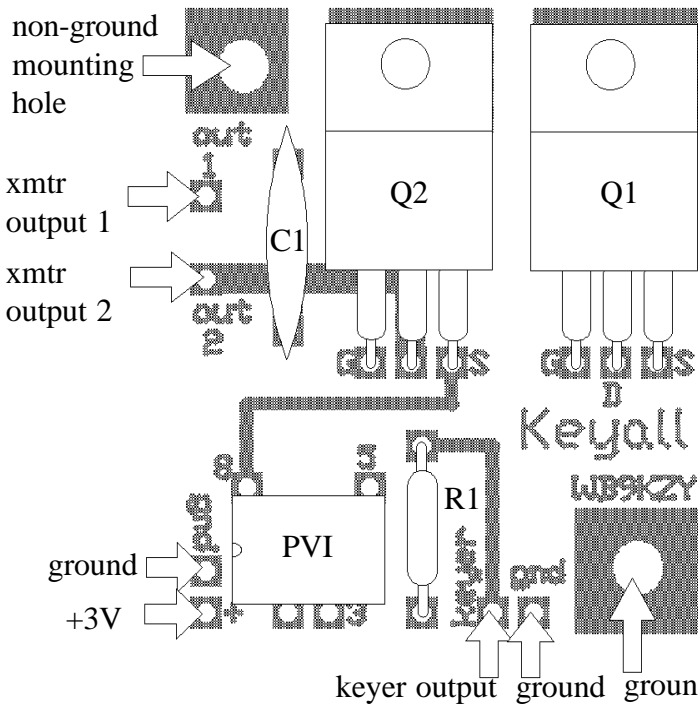


# Keyall Schematic

Jackson Harbor Press  
 RR1, Box 91C  
 Washington Island, WI 54246  
<http://wb9kzy.com>  
[wb9kzy@wb9kzy.com](mailto:wb9kzy@wb9kzy.com)



## Circuit Board Top View Parts Placement Diagram



## Circuit Board Bottom View

