

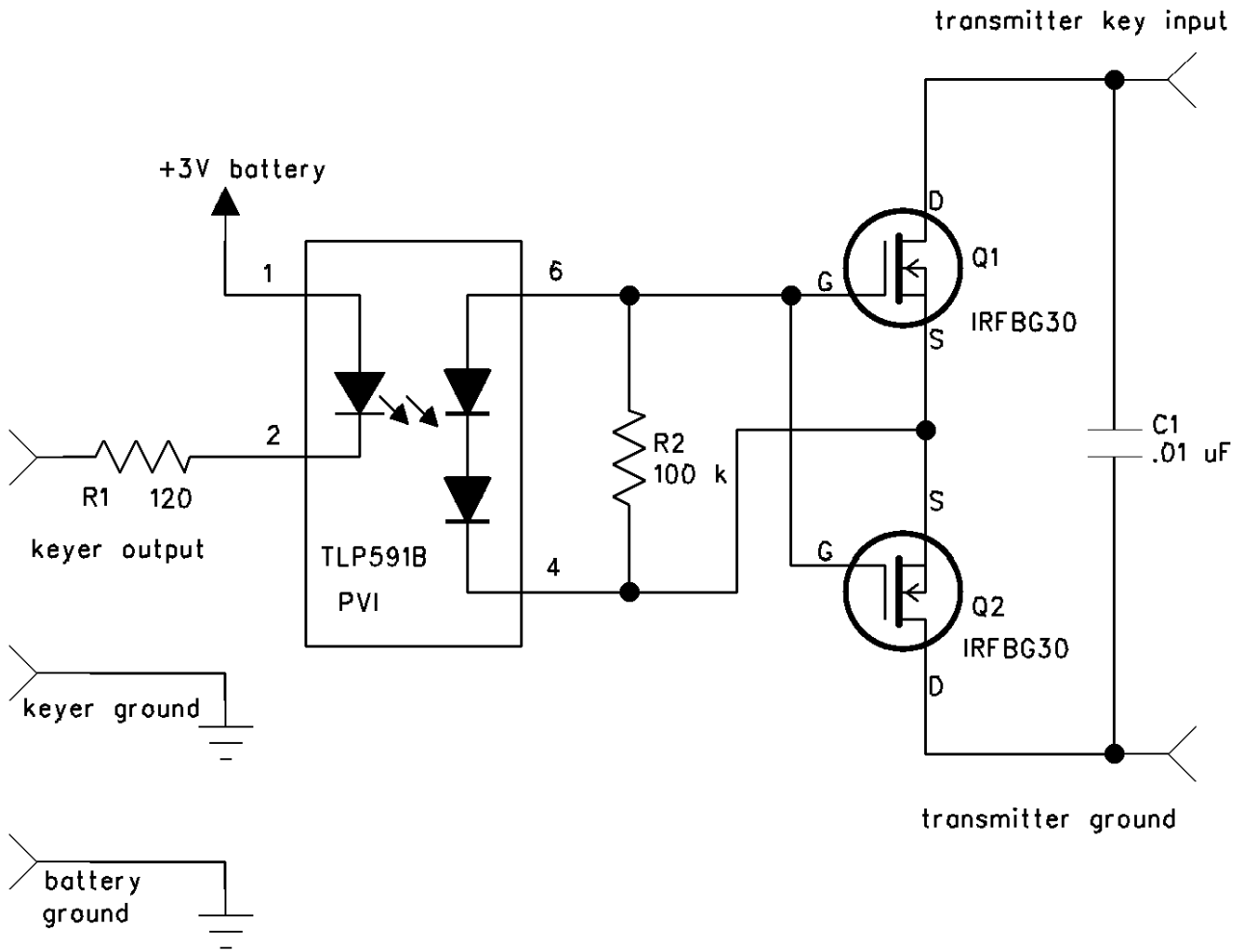
Keyall HV kit

Jackson Harbor Press

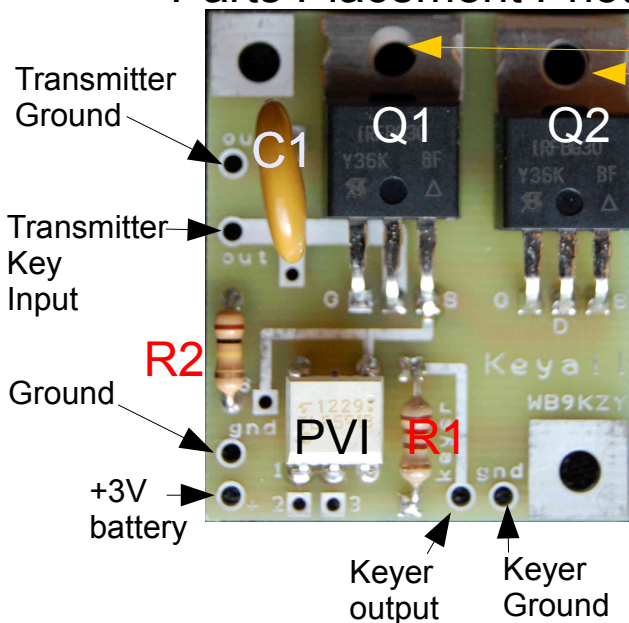
<http://wb9kzy.com>

[wb9kzy@wb9kzy.com](mailto:wb9kzy@wb9kzy.com)

Schematic:



Circuit Board Top View  
Parts Placement Photo:



Note that both transistor tabs are connected to their respective Drain terminals, they are "live"

Circuit Board  
Bottom View Photo:

