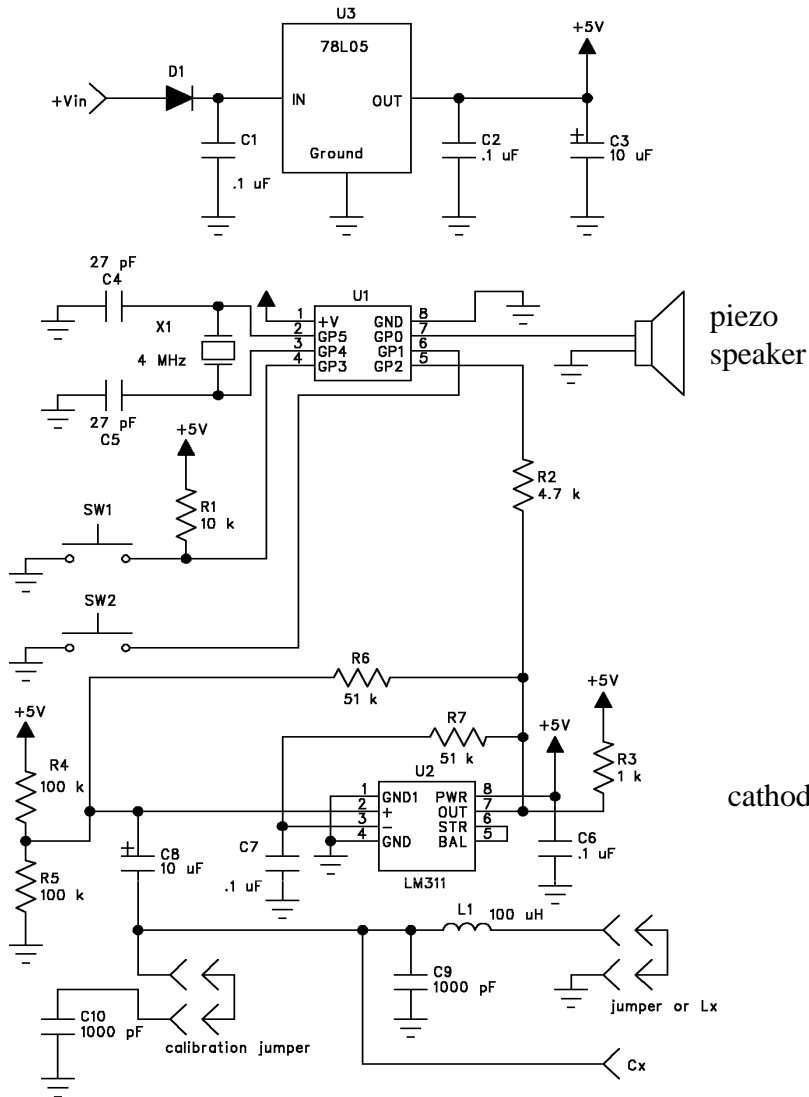


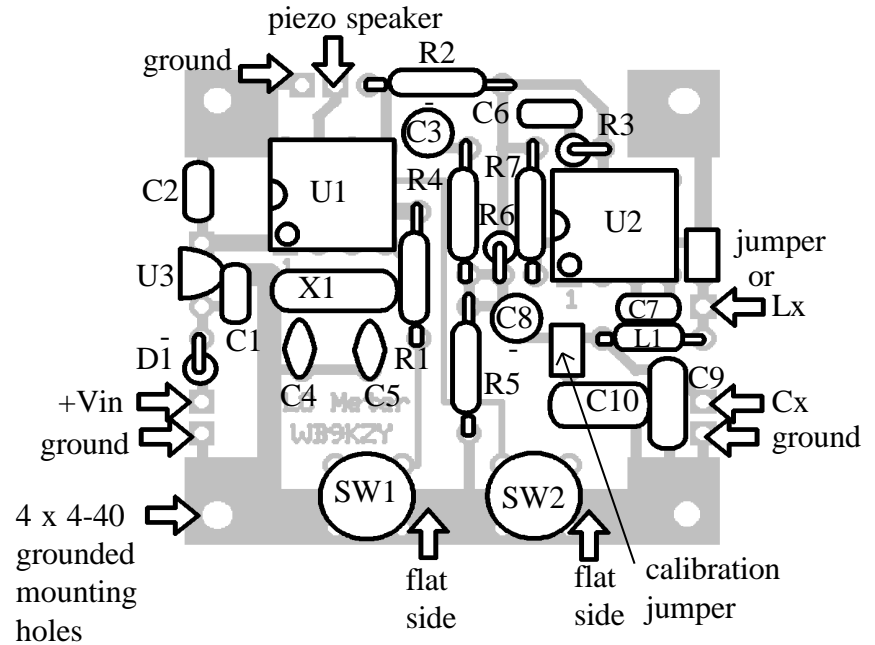
# LC Meter

Jackson Harbor Press  
 1418 Foss Rd.  
 Washington Island, WI 54246  
<http://jacksonharbor.home.att.net/>  
[jacksonharbor@att.net](mailto:jacksonharbor@att.net)

## Schematic



## Circuit Board Top View Parts Placement Diagram



## Circuit Board Bottom View

