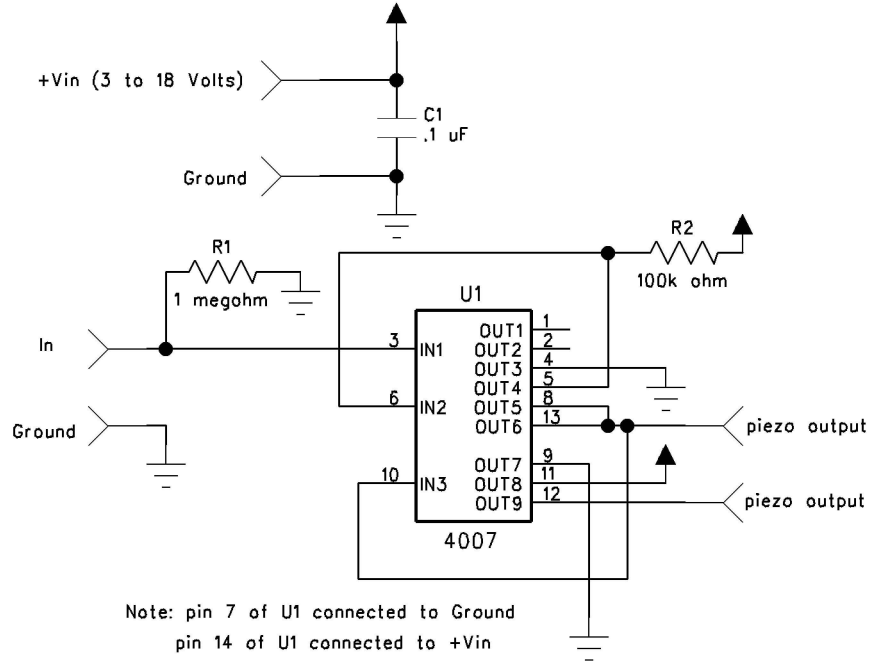


Piezo Loudenator kit

Jackson Harbor Press
<http://wb9kzy.com>
wb9kzy@wb9kzy.com

Schematic:



Circuit board
Top view:



Circuit board
Bottom view:

