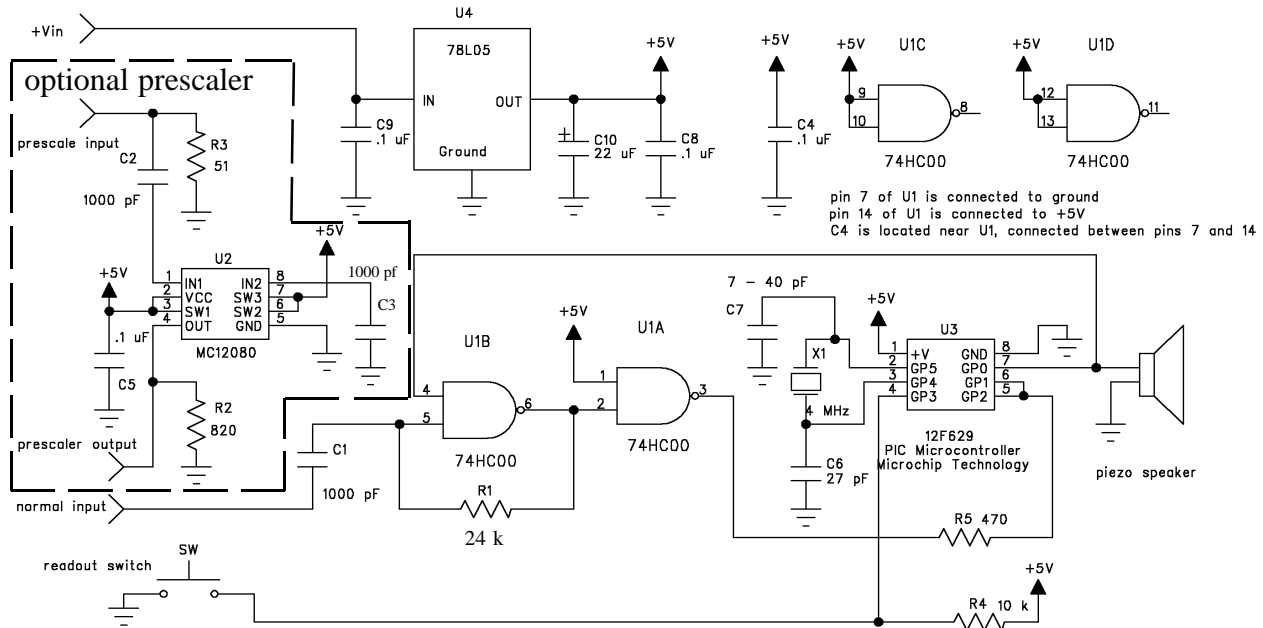
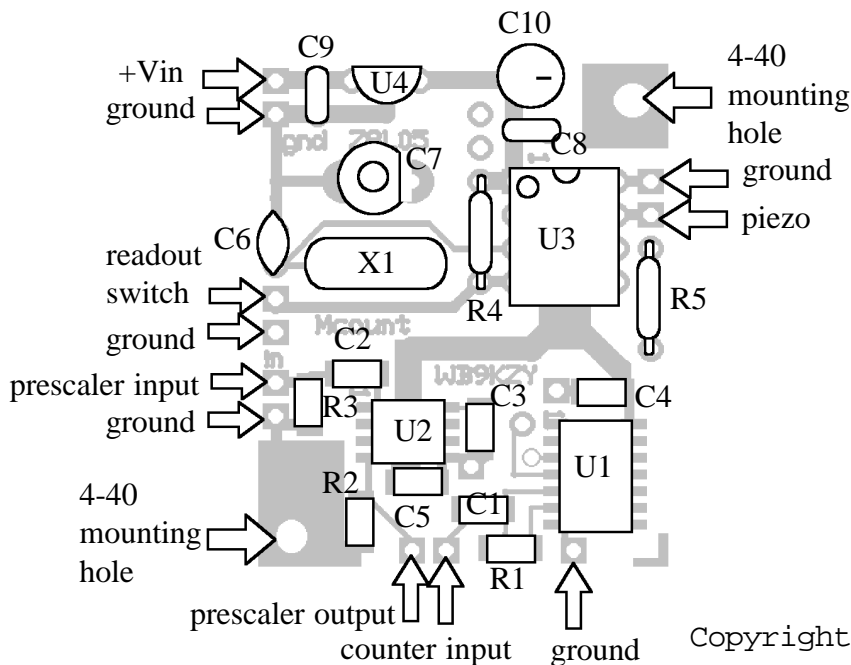


Mcount Kit Schematic

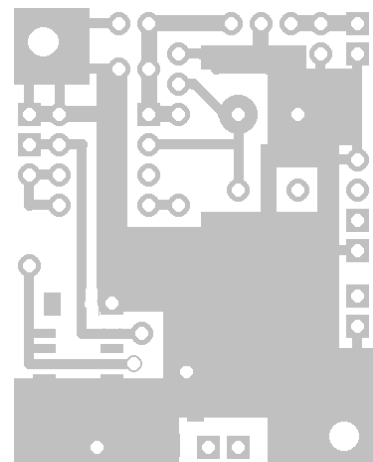
Jackson Harbor Press
jacksonharbor@att.net
<http://jacksonharbor.home.att.net>



Parts Placement diagram top view circuit board



bottom view circuit board



Copyright © 2005 by Charles J. Olson