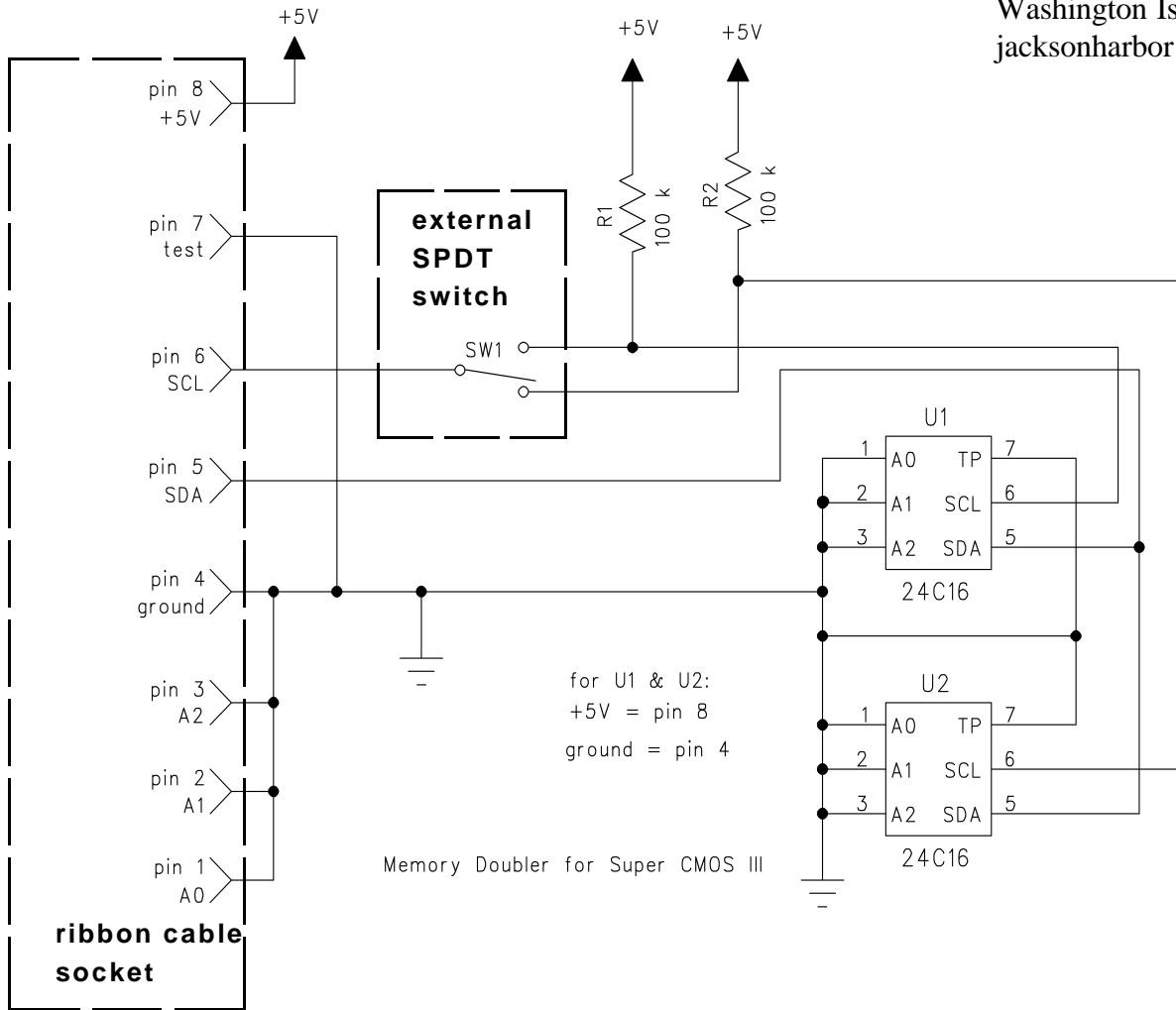
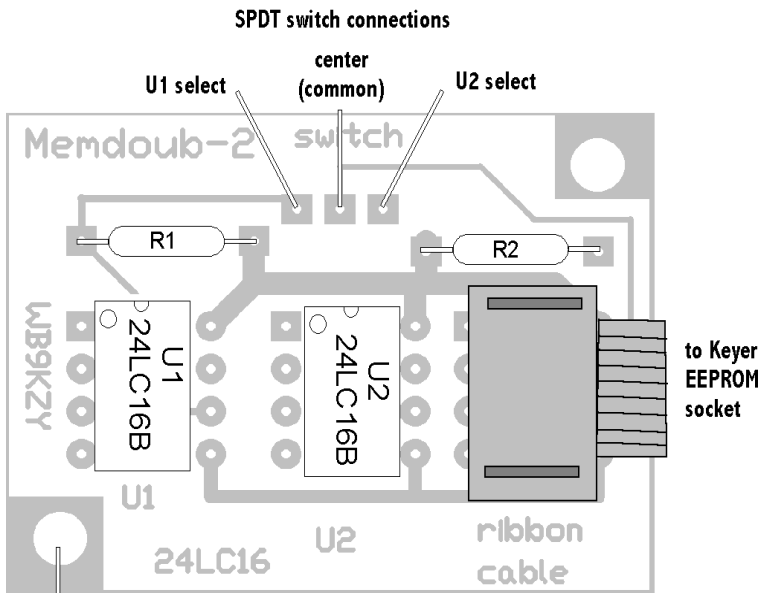


Memdoub-2 Schematic Diagram

Jackson Harbor Press
 RR1, Box 91C
 Washington Island WI 54246
 jacksonharbor@worldnet.att.net



Parts Placement Diagram Top View of Circuit Board



mounting holes are for 4-40 sized hardware

note: mounting holes are connected to ground

Bottom View of Circuit Board

