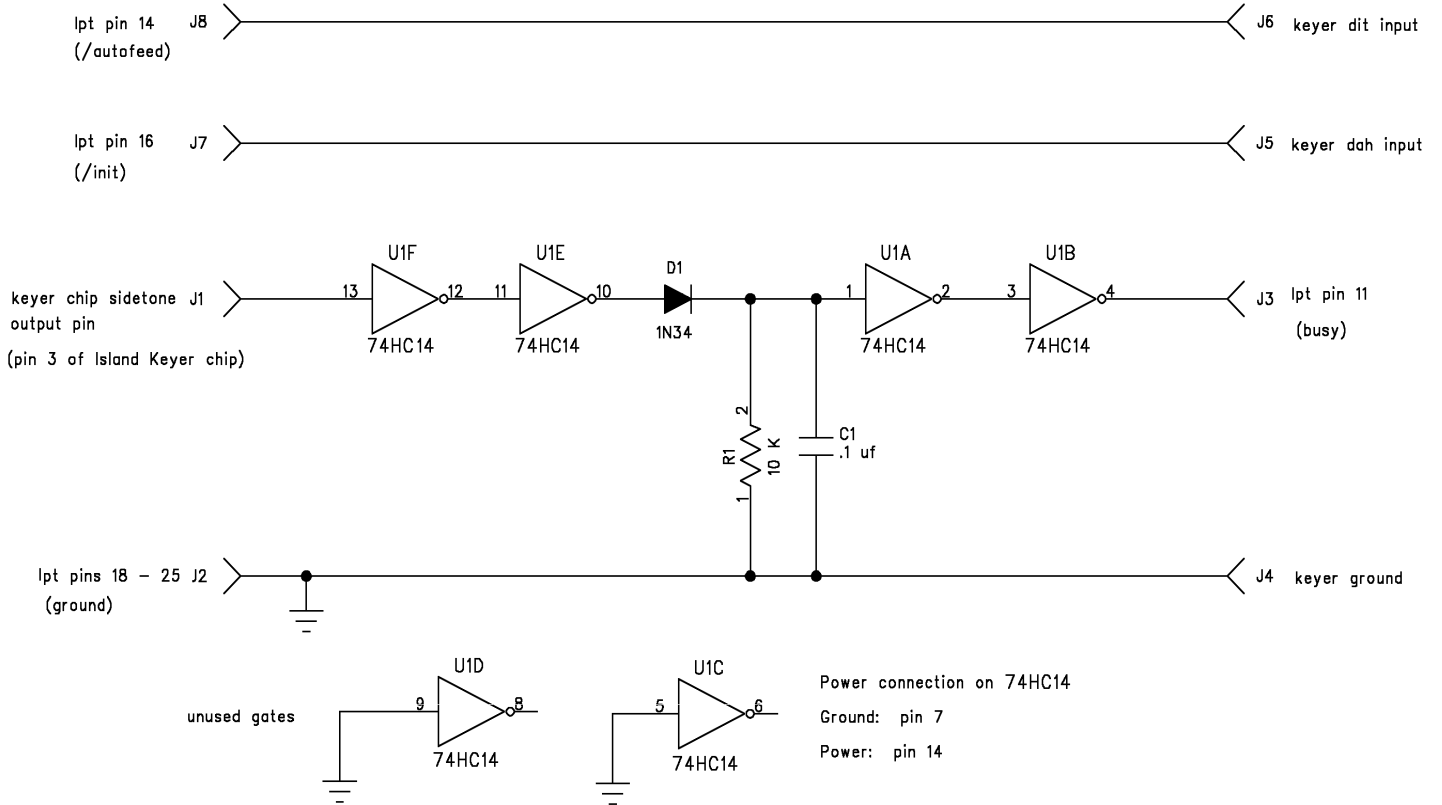


Schematic Diagram of Memload interface circuit



Chuck Olson, WB9KZY
 Jackson Harbor Press
 jacksonharbor@worldnet.att.net
 RR1, Box 91C
 Washington Island, WI 54246