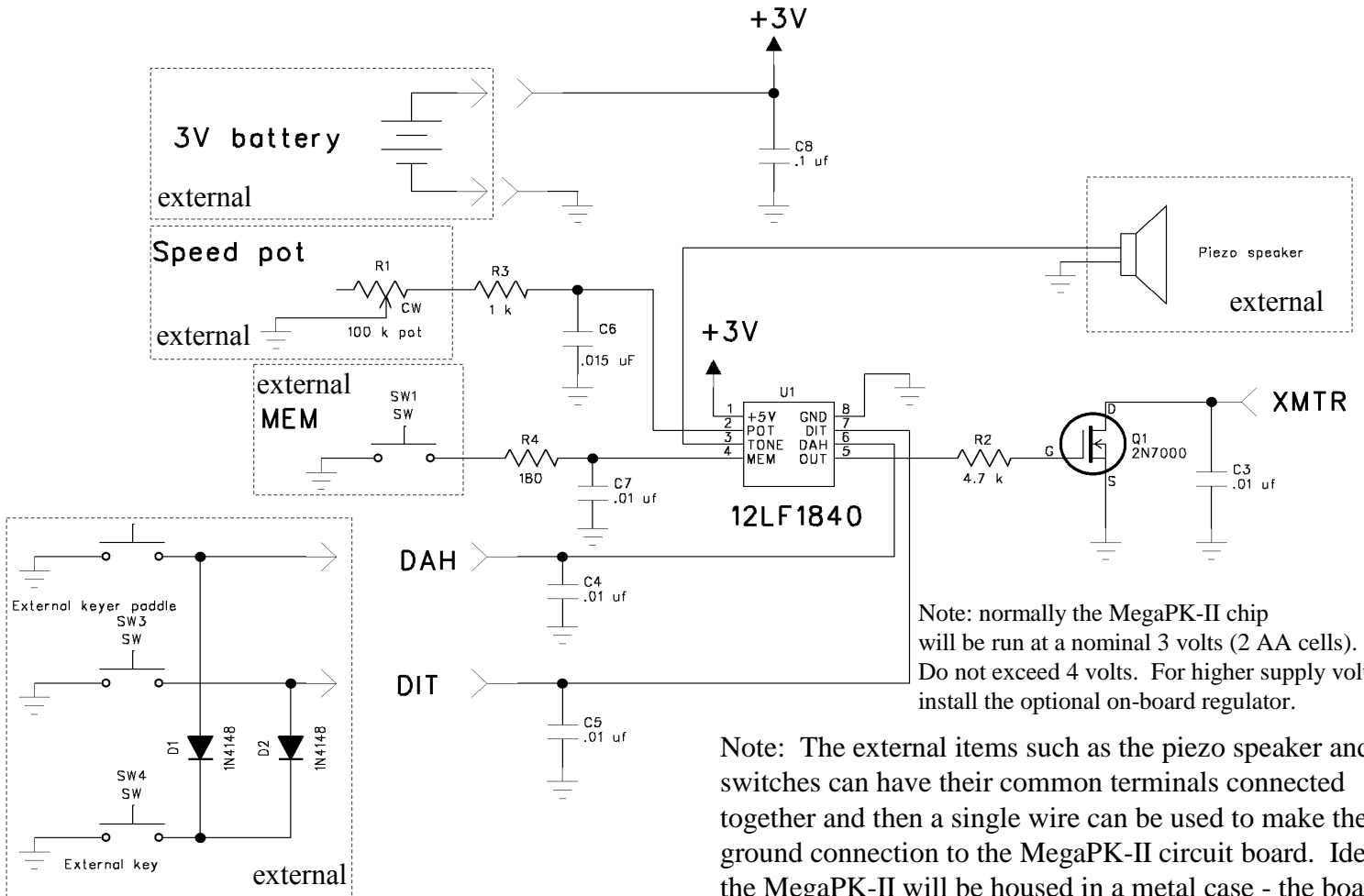


MegaPK-II Schematic Diagram

Jackson Harbor Press
 1418 Foss Rd.
 Washington Island, WI 54246
<http://wb9kzy.com>
 wb9kzy@wb9kzy.net

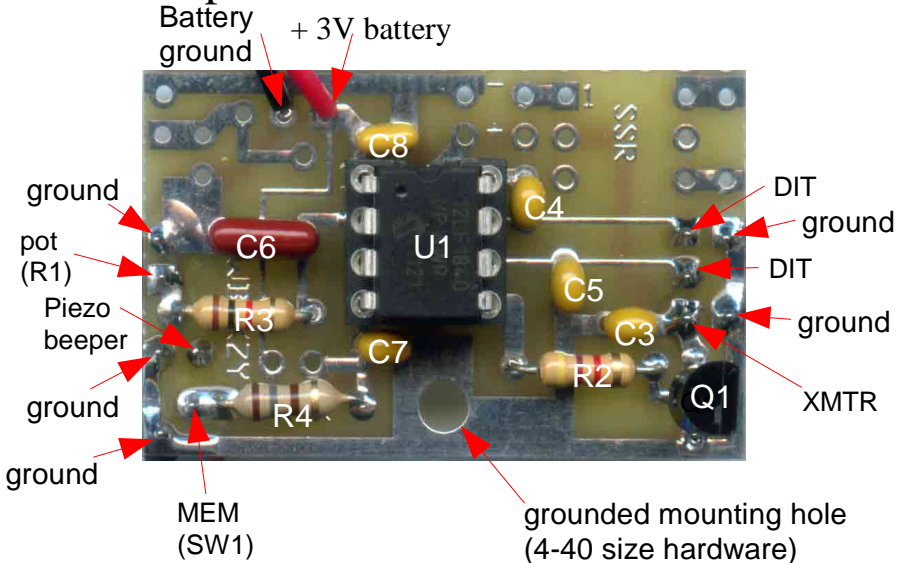


Note: normally the MegaPK-II chip will be run at a nominal 3 volts (2 AA cells). Do not exceed 4 volts. For higher supply voltage install the optional on-board regulator.

Note: The external items such as the piezo speaker and switches can have their common terminals connected together and then a single wire can be used to make the ground connection to the MegaPK-II circuit board. Ideally, the MegaPK-II will be housed in a metal case - the board mounted with a short metal standoff and star washers to insure a good electrical connection to ground.

Parts Placement Diagram

Top View of Circuit Board



Bottom View of Circuit Board

