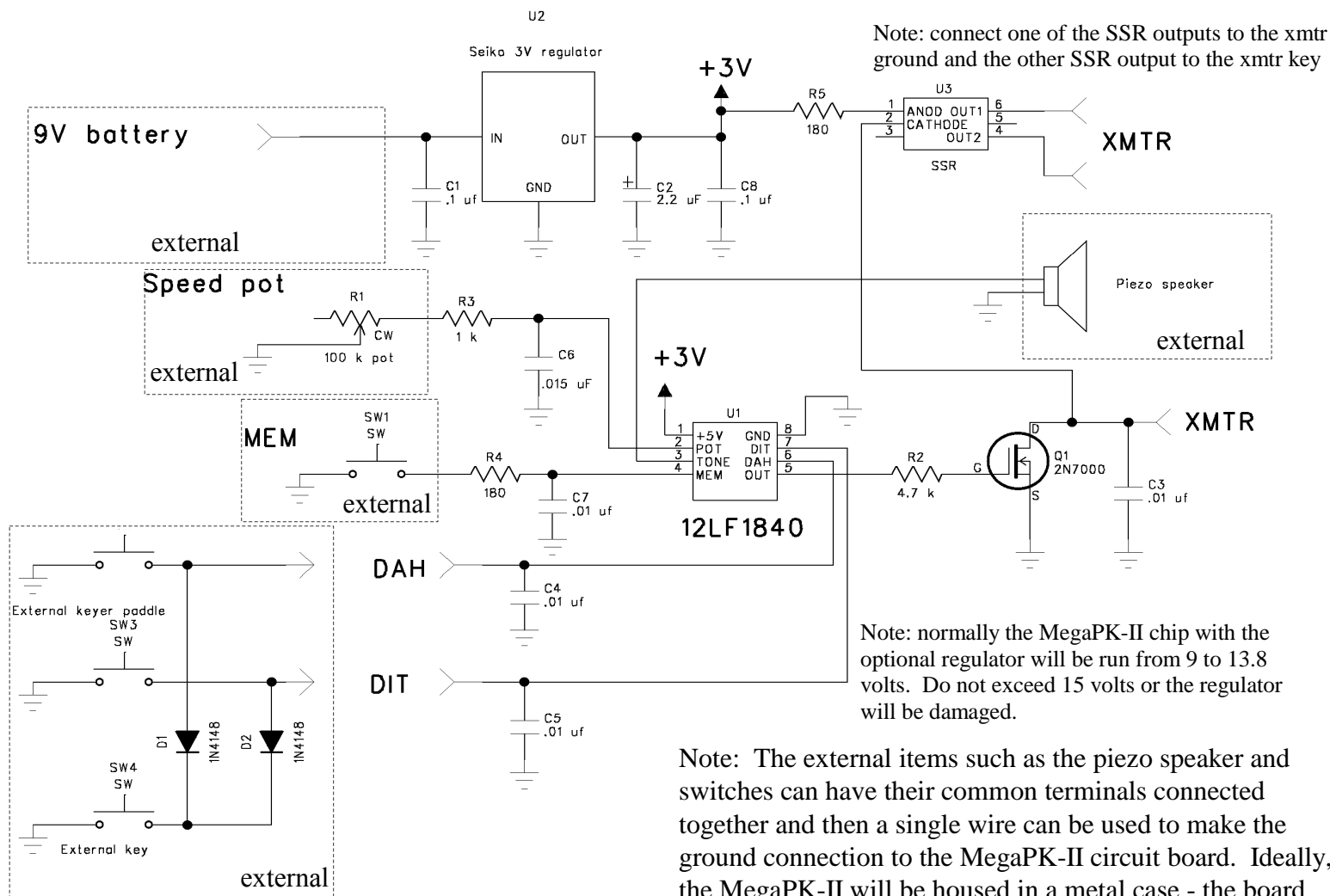
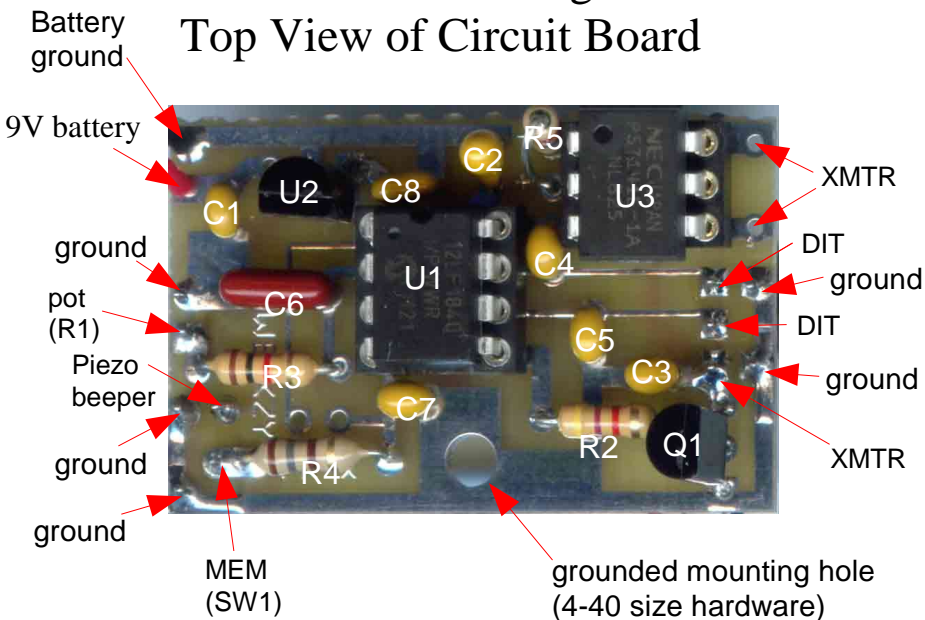


MegaPK-II kit with options Schematic Diagram

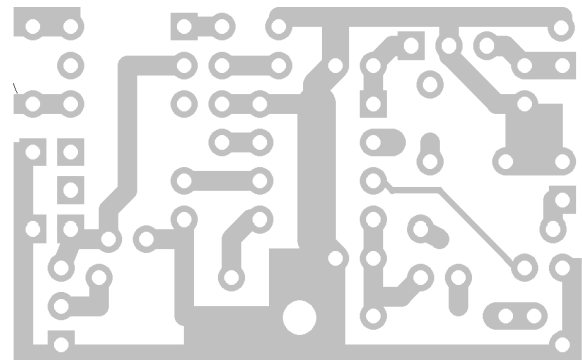
Jackson Harbor Press
1418 Foss Rd.
Washington Island, WI 54246
<http://wb9kzy.com>
wb9kzy@wb9kzy.net



Parts Placement Diagram Top View of Circuit Board



Bottom View of Circuit Board



Copyright © 2011 by Charles J. Olson