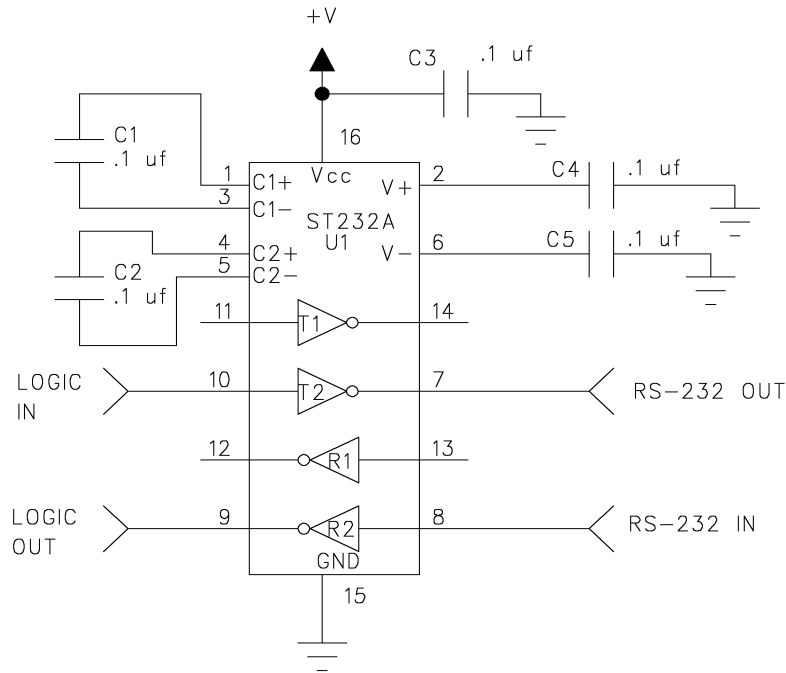
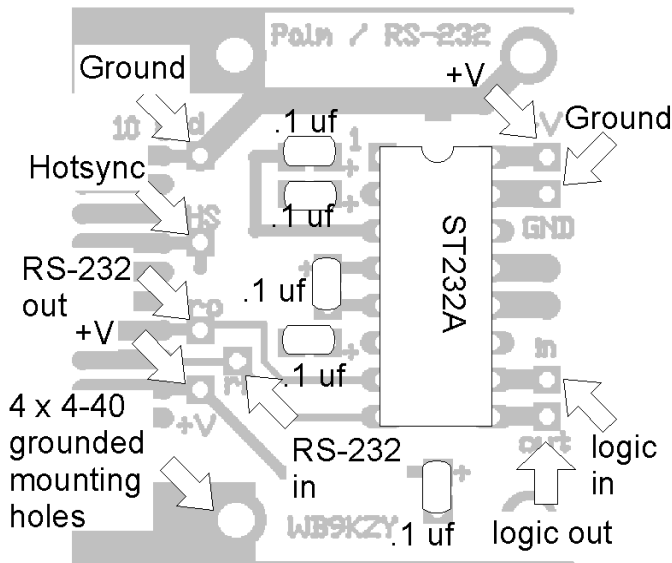


Palm / RS-232 Schematic Diagram

Jackson Harbor Press
 RR1, Box 91C
 Washington Island, WI 54246
<http://jacksonharbor.home.att.net>
jacksonharbor@att.net



Parts Placement Diagram Top View of Circuit Board



Bottom View of Circuit Board

