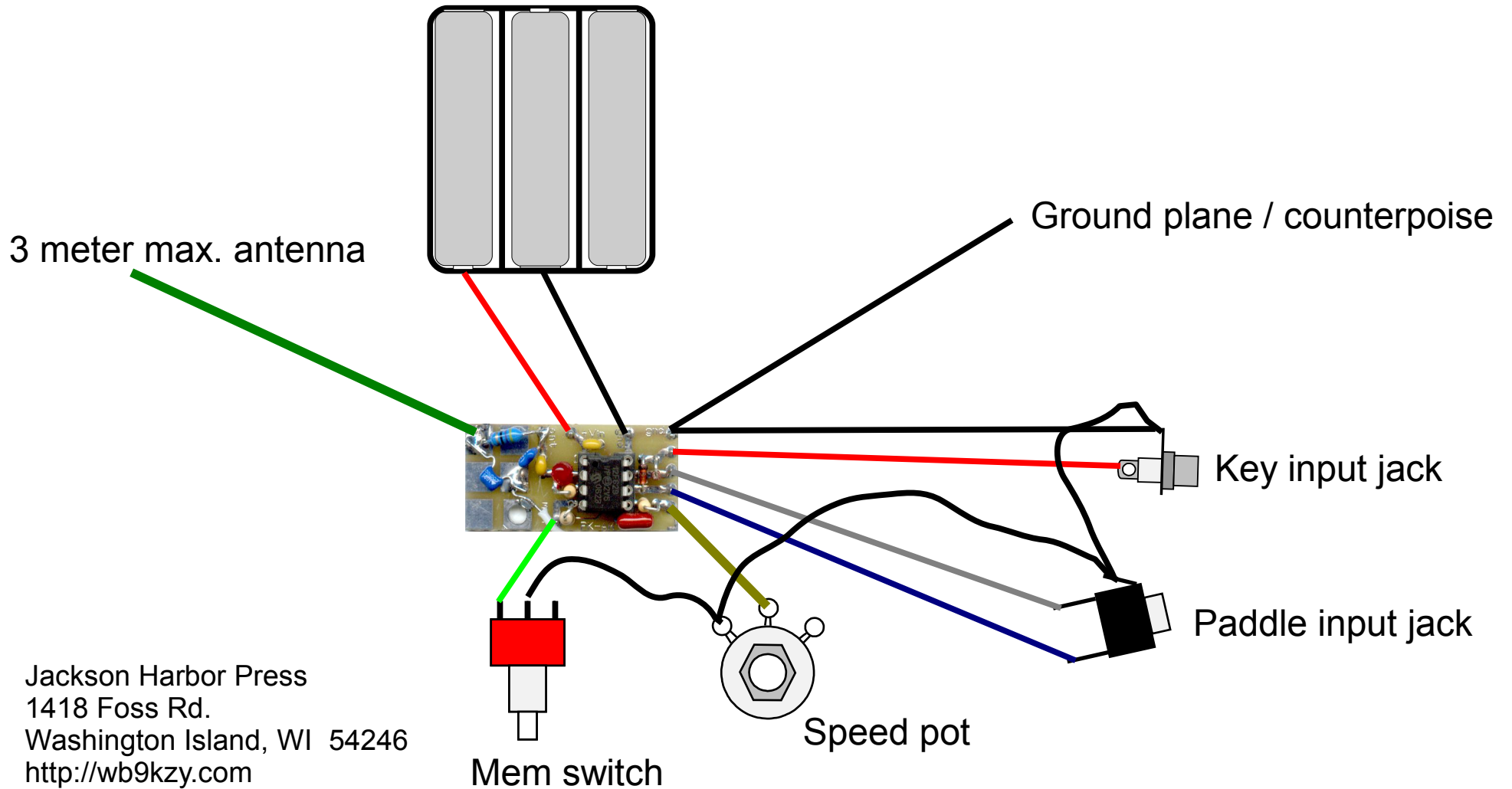


PK-AM Kit Hookup Diagram

3 cell battery (or 4 cell NiMH) with optional switch



Jackson Harbor Press
1418 Foss Rd.
Washington Island, WI 54246
<http://wb9kzy.com>
wb9kzy@wb9kzy.com

Copyright © 2010 by Charles J. Olson