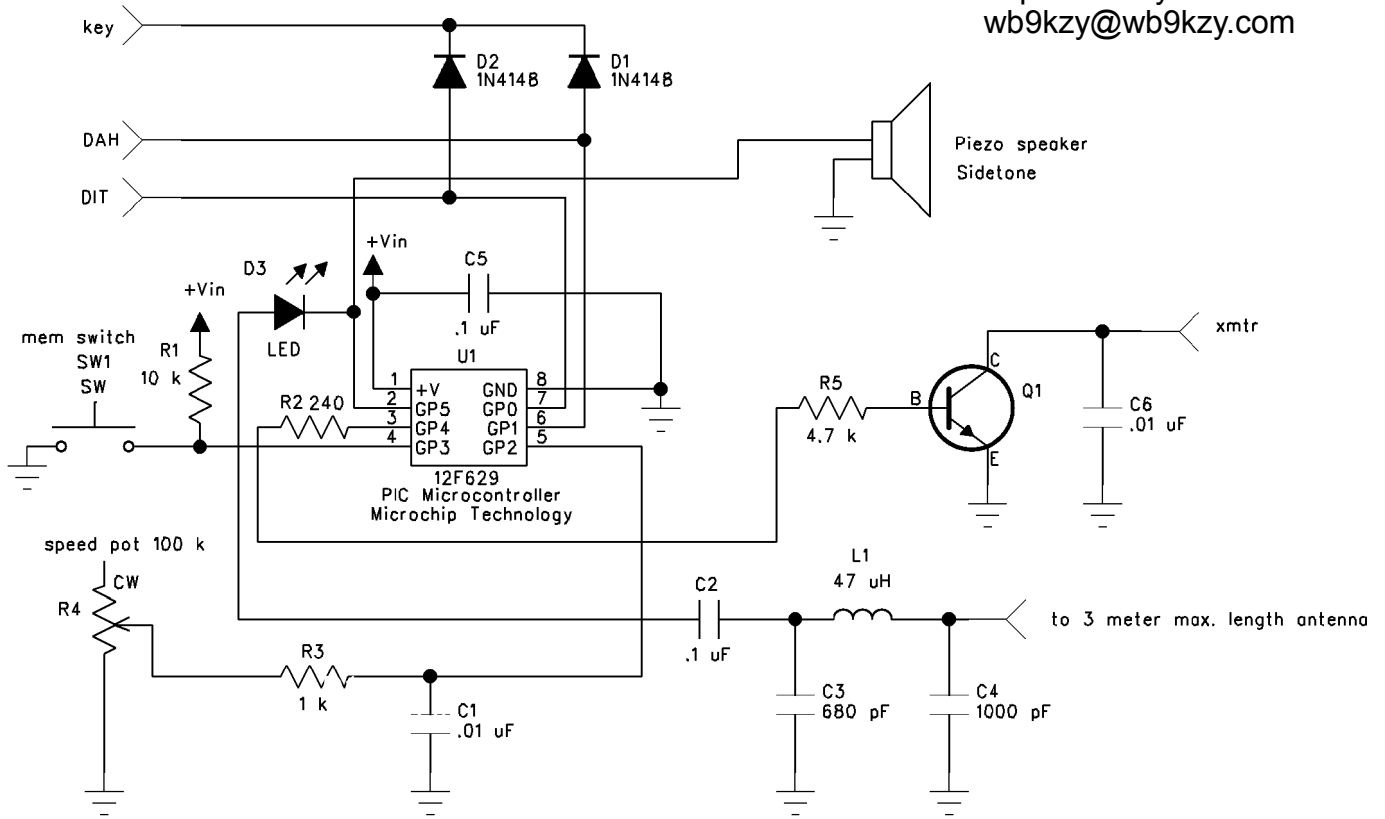


# PK-AM kit keyer modification

Jackson Harbor Press  
 1418 Foss Rd.  
 Washington Island, WI 54246  
<http://wb9kzy.com>  
 wb9kzy@wb9kzy.com

## Schematic



## Circuit Board Top View Parts Placement

