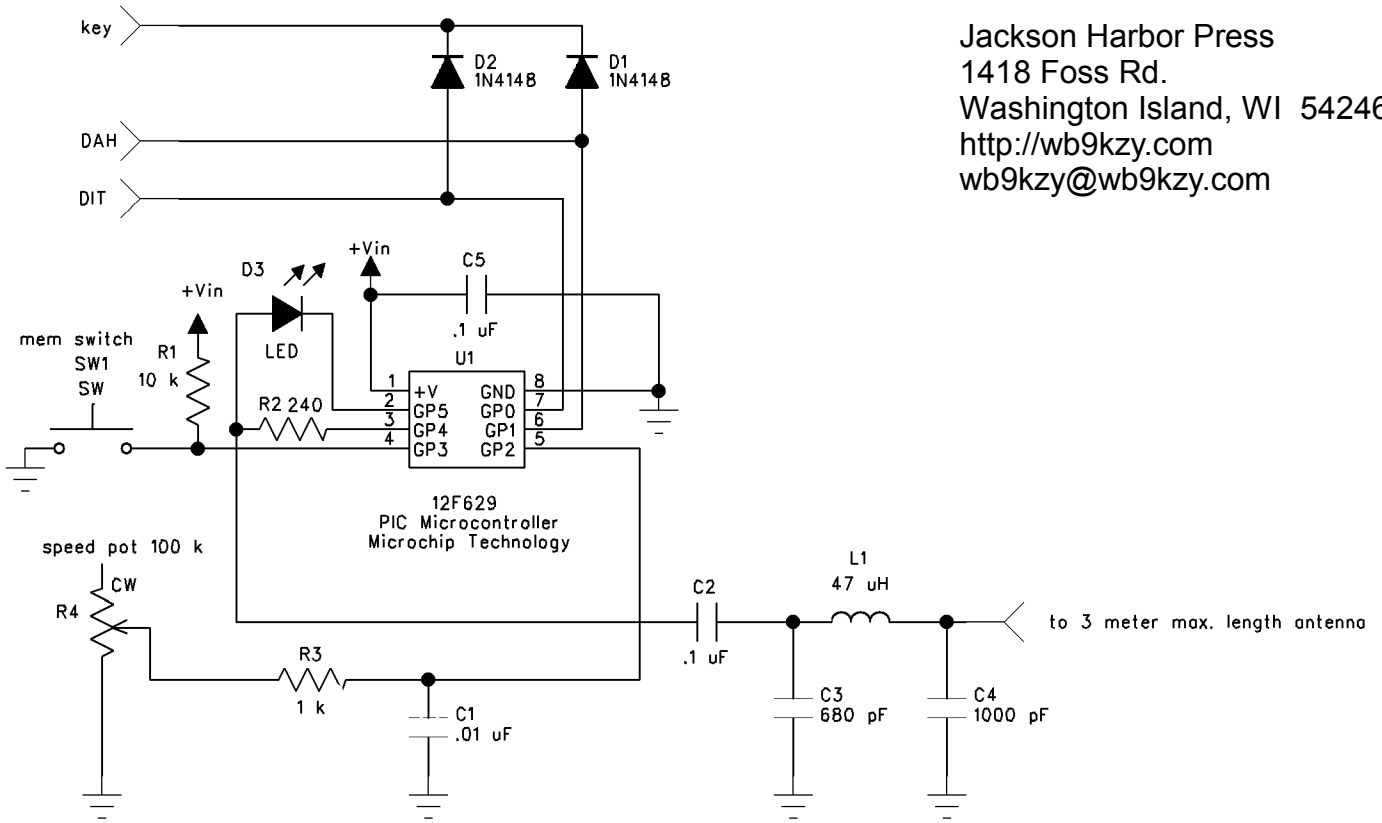


PK-AM kit

Schematic



Jackson Harbor Press
 1418 Foss Rd.
 Washington Island, WI 54246
<http://wb9kzy.com>
wb9kzy@wb9kzy.com

Circuit Board Top View Parts Placement

