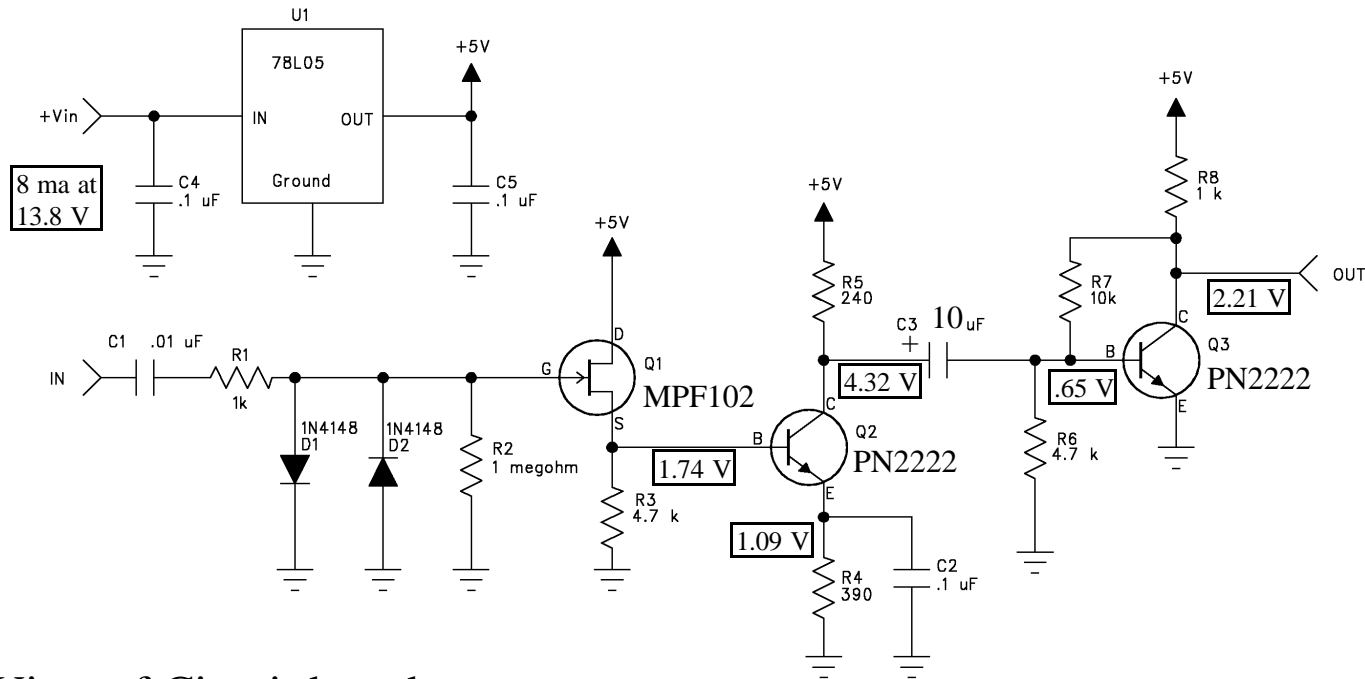
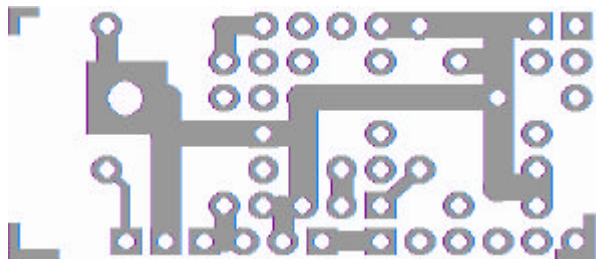


Counter Preamp II Schematic / Parts Placement Diagrams

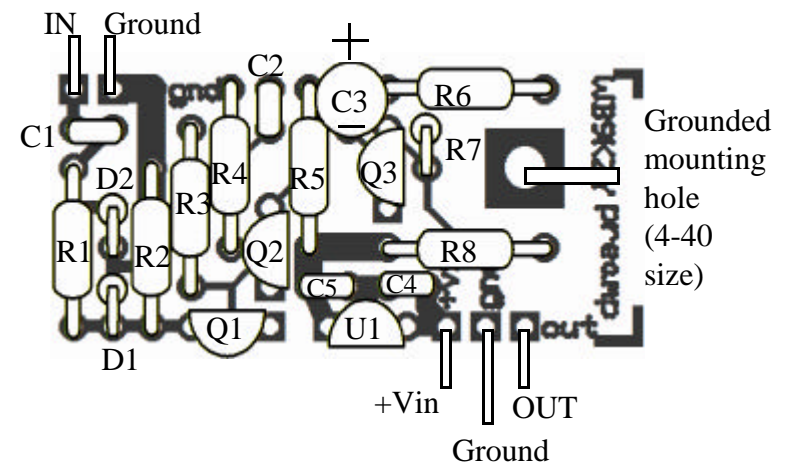
Schematic



Bottom View of Circuit board



Top View of Circuit Board



Jackson Harbor Press
 1418 Foss Rd.
 Washington Island, WI 54246
 jacksonharbor@att.net
<http://jacksonharbor.home.att.net>