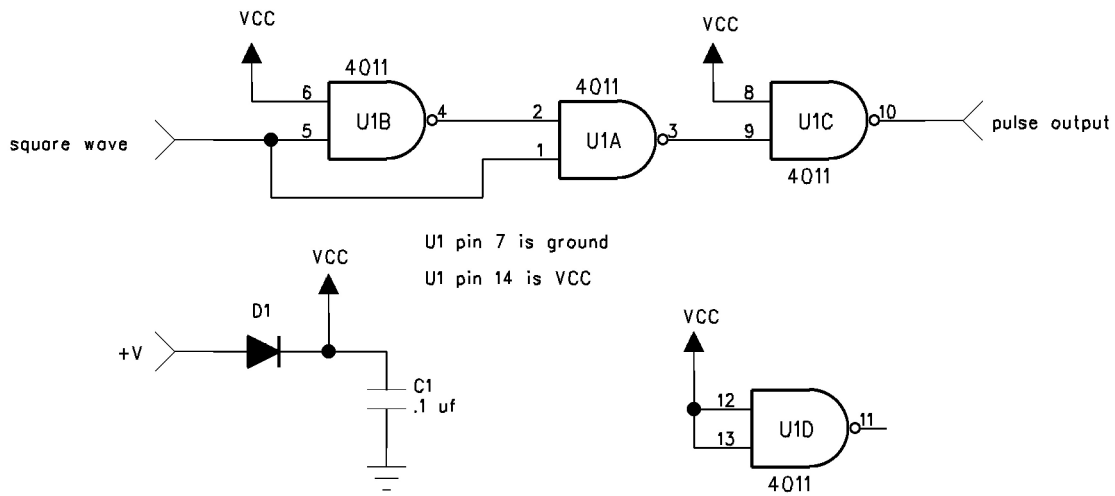
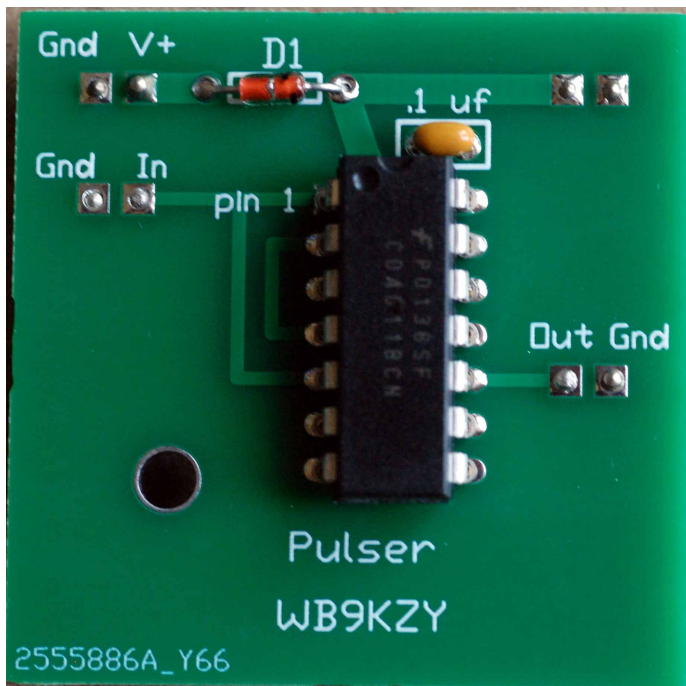


Pulser kit schematic:



Parts placement



Notes:

- 1) a square wave connected to the In pad will result in a brief pulse or spike once per cycle from the Out pad on the right
- 2) power/gnd for another circuit can be furnished by the two unmarked pads at top right
- 3) substitute a CD4093 chip if slow rise/fall time waveforms are used as an input such as a Sine wave



Jackson Harbor Press

WB9KZY at GMAIL dot com

<http://wb9kzy.com/ham.htm>

Copyright © 2023 by Charles J. Olson