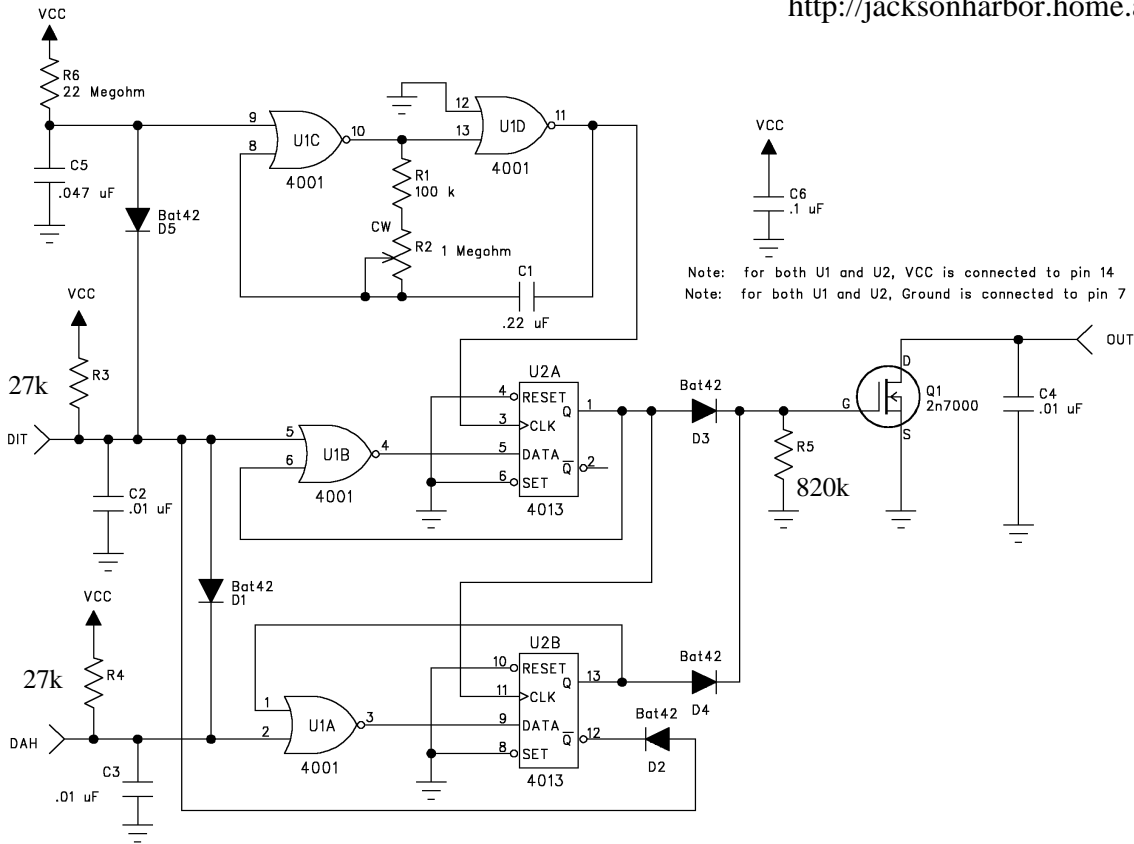
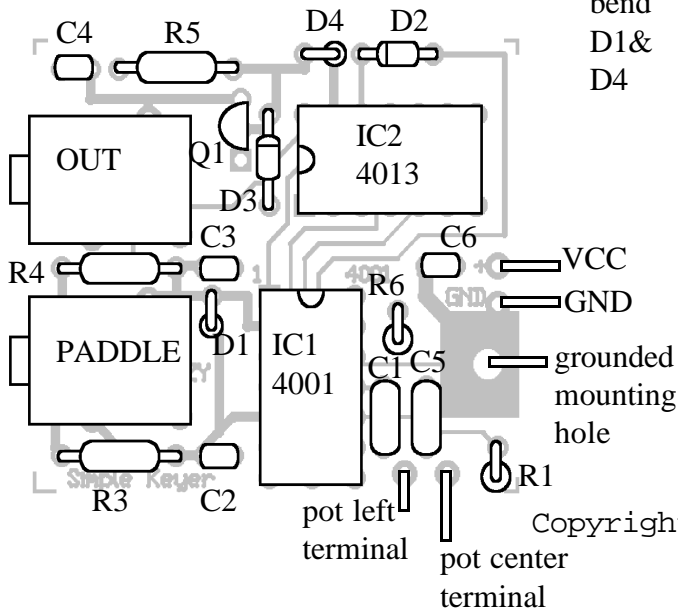


# Simple Keyer Kit Schematic

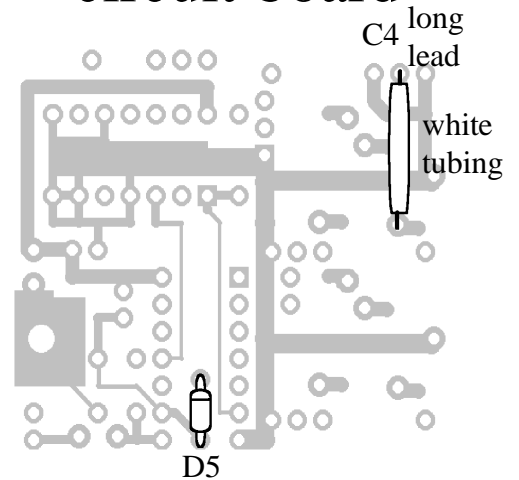
Jackson Harbor Press  
 jacksonharbor@att.net  
<http://jacksonharbor.home.att.net>



## Parts Placement diagram top view circuit board



## bottom view circuit board



Copyright © 2006 by Charles J. Olson