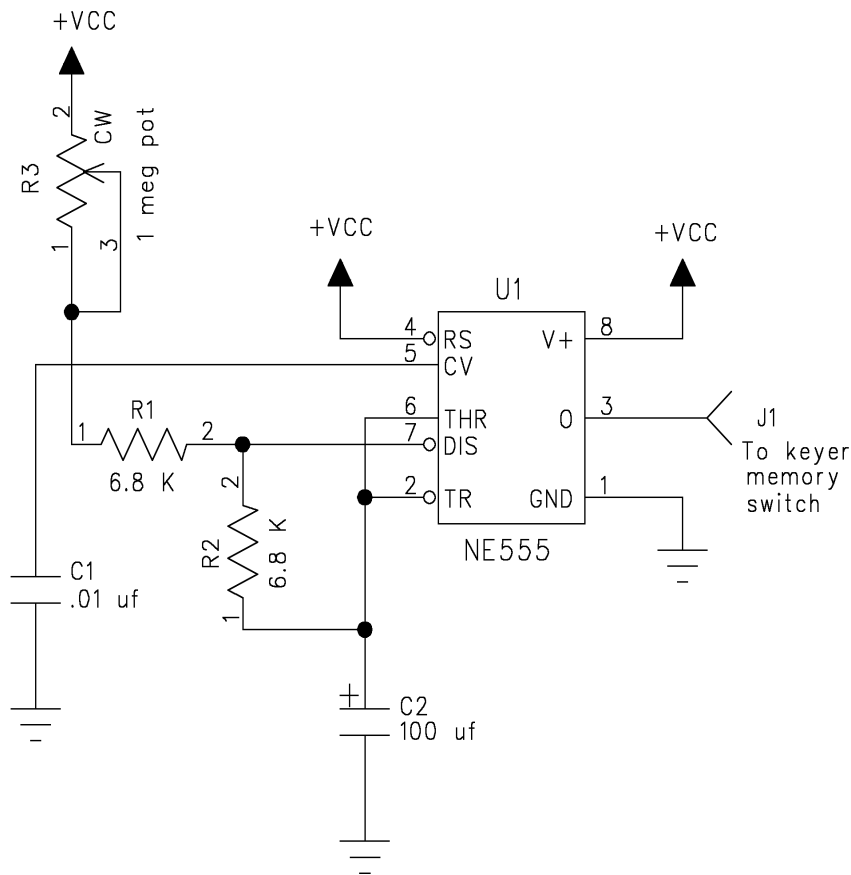


Schematic Diagram of Beacon Timer Circuit



This circuit can be used with the Island Keyer to provide a beacon timer.

The 555 timer is configured as a .05 to .5 hz oscillator with a high duty cycle (1 second low, the rest of the time high). The output of the 555 is connected to one of the 4 memory pushbutton switches. The 1 megohm pot is set to provide the desired delay time between messages (up to 90 seconds). Power (+VCC) and ground connections must also be made to the keyer

Chuck Olson, WB9KZY
Jackson Harbor Press
jacksonharbor@worldnet.att.net
RR1, Box 91C
Washington Island, WI 54246

copyright 1998 by Charles J. Olson