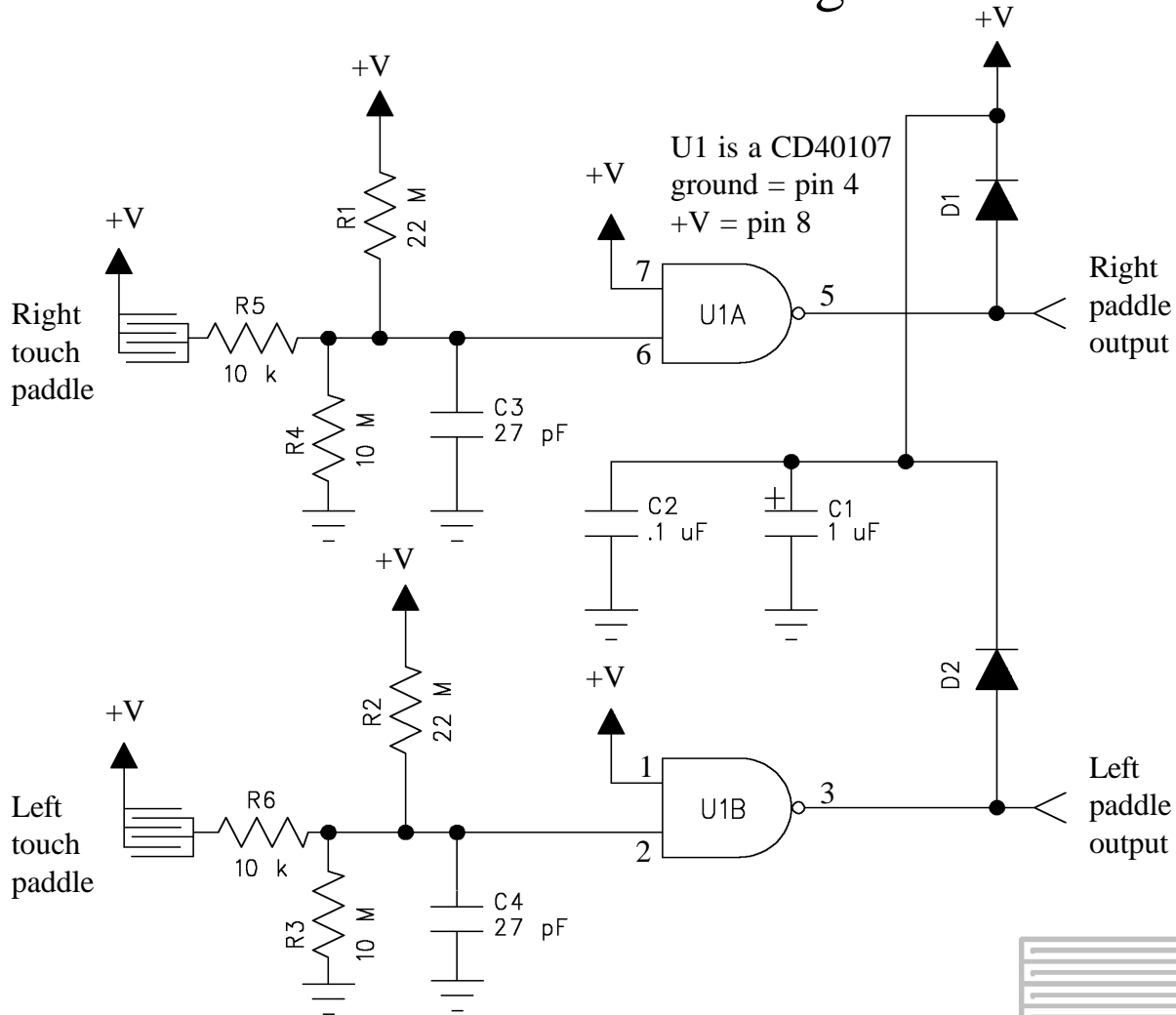
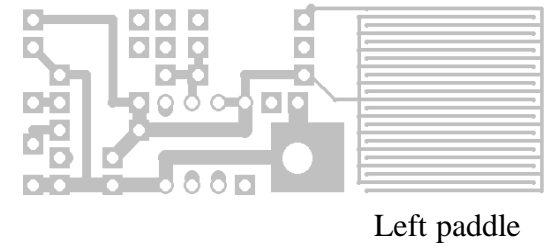


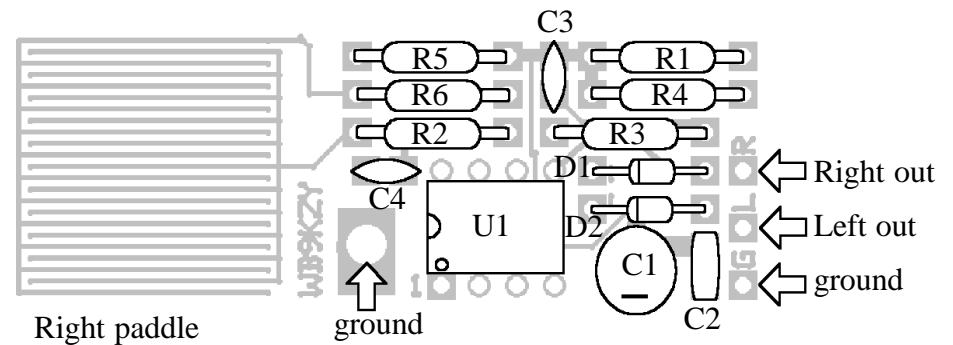
Touch Paddle Schematic Diagram



Bottom View of Circuit board



Parts Placement Diagram
Top View of Circuit Board



Jackson Harbor Press
RR1, Box 91C
Washington Island, WI 54246
jacksonharbor@att.net
<http://jacksonharbor.home.att.net>
Copyright © 2003 by Charles J. Olson