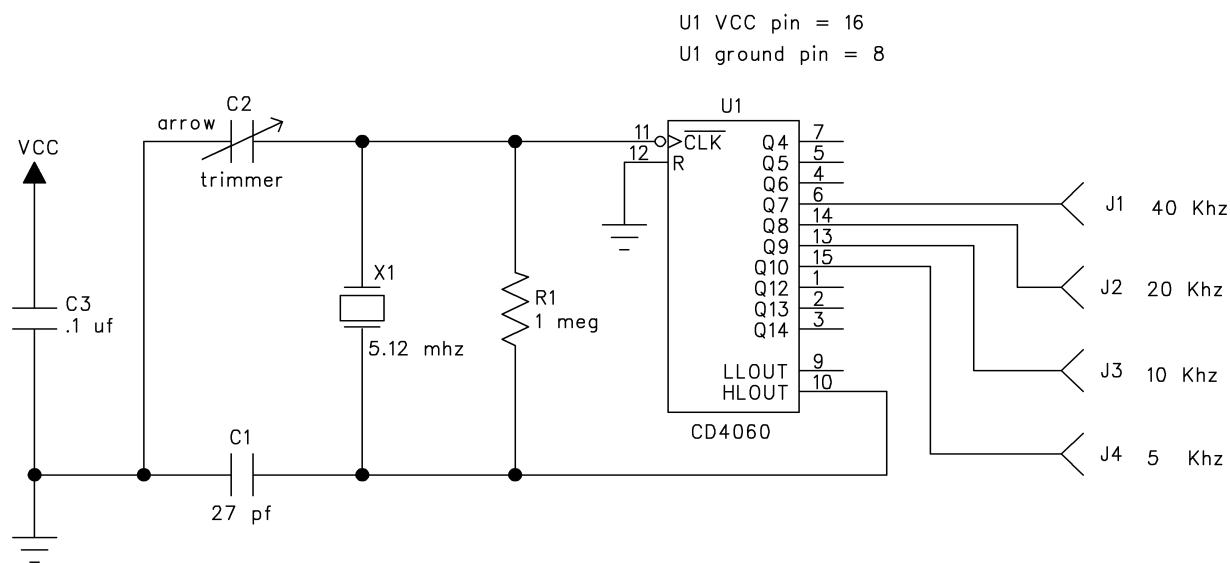
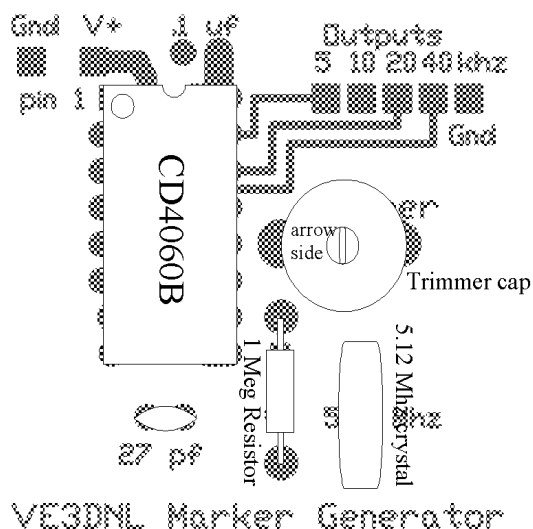


# Schematic Diagram for the VE3DNL Marker Generator



## Parts Placement Diagram Top View of Circuit Board



## Notes:

- 1) V+ on circuit board is the same as VCC on the schematic diagram.
- 2) The ceramic trimmer cap is marked with a downward pointing arrow on one terminal. This terminal should be oriented towards the IC. This will prevent problems with the frequency changing if a metallic alignment tool is used since the screwhead on the cap is connected to this pin (ground).
- 3) The socket supplied contains the decoupling capacitor (C3). This is why the place on the circuit board for C3 (the .1 uf capacitor) is unoccupied.



Jackson Harbor Press  
 RR1, Box 91C  
 N21W1418 Foss Road  
 Washington Island, WI 54246-9718  
 (920) 847-2761  
 jacksonharbor@worldnet.att.net  
 http://home.att.net/~jacksonharbor